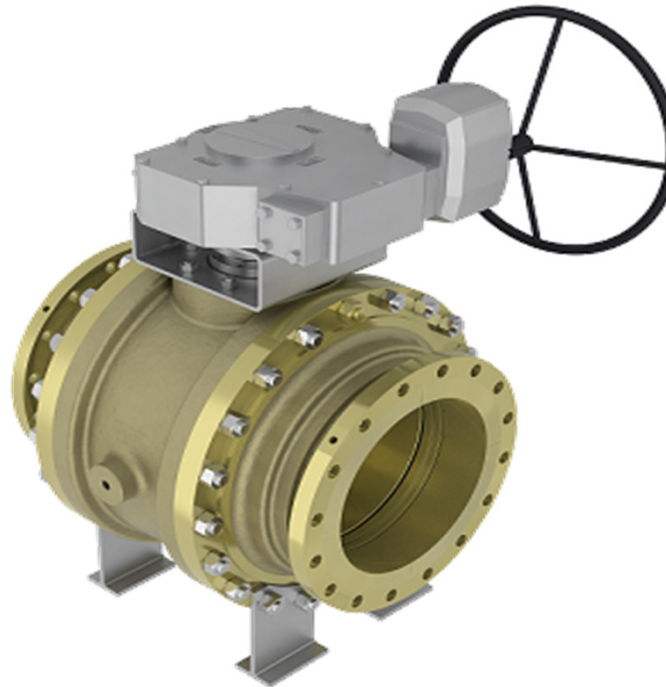


Description

The BAV17-2 is a 3 piece side entry, full bore trunnion mounted ball valve, with integral cast flanges. Manufactured as standard in NiAlBr giving long service life on seawater applications.

In conformance with the Pressure Equipment Directive 97/23/EC.

Standard Range,
Sizes: 14" to 24"
Connections: ANSI 150 & 300.



Materials

Regularly manufactured in a full range of materials including:

- Nickel Aluminium Bronze – ASTM B148
- Nickel Aluminium Bronze - DS02 747 Part 3
- Gunmetal – DS02 830 Part 1
- Bronze – ASTM B61/B62
- Brass – HTB1
- Titanium – ASTM B367
- Hastelloy®
- Monel®

Other materials available on request

Features

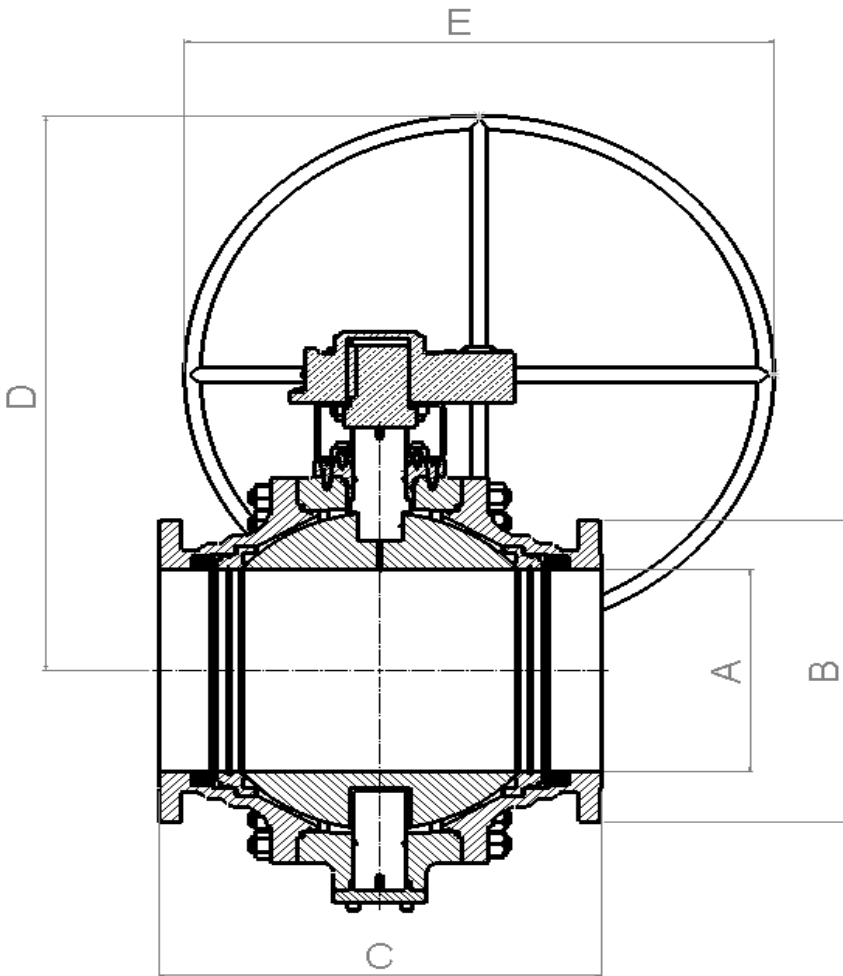
- Anti-static / Anti blowout stem
- Cavity pressure relieving seats
- Pressure equalising ball design
- ISO 5211 mounting platform
- Bolted Bonnet
- Bi-directional Flow
- Spring loaded seat

Options

- Bare shaft (for actuation by others)
- Actuation to customer specifications
- Locking facility (open & closed)
- Extended stems (insulation allowance)

Specifications

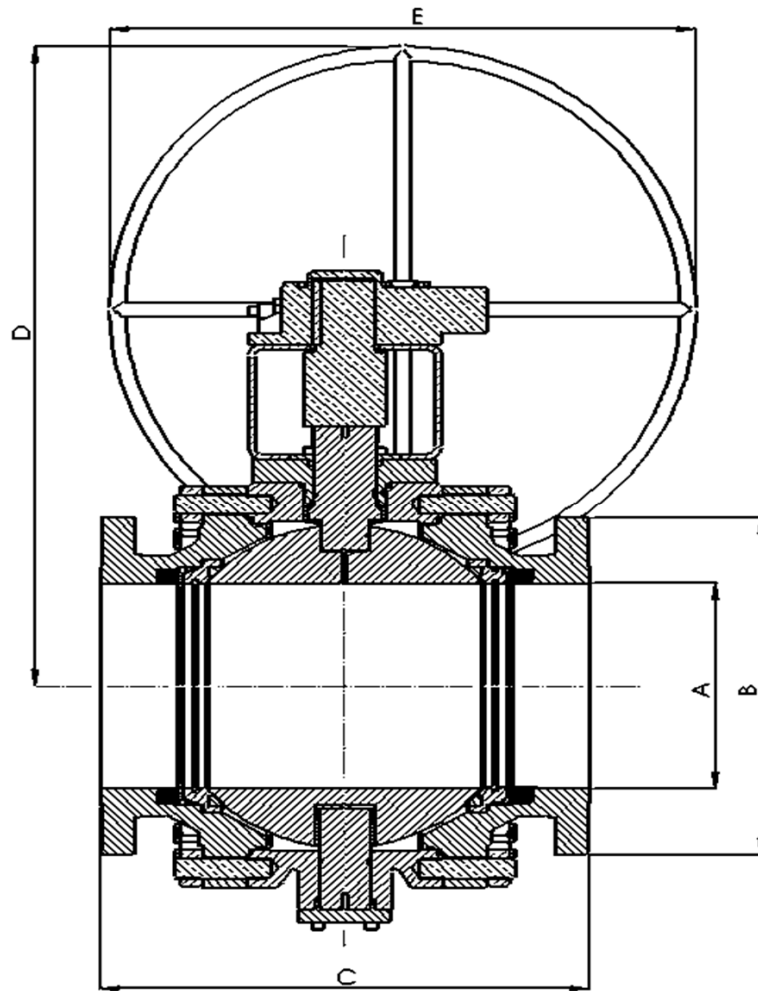
- ANSI B16.5 Flange Dimensions
- ANSI B16.10 Face to Face Length
- ANSI B16.34 Wall Thickness
- PED Conformity
- Designed generally in accordance with: API 6D & ISO 17292 (formerly BS5351)



Dimensions

ANSI 150

VALVE SIZE		mm						WEIGHT kg
INCH	mm	A NB Ball	B	C	D	E		
						LEVER	HANDWHEEL	
14"	350	356	533	686	979	G/BOX	914	874
16"	400	406	597	762	1142	G/BOX	914	1311
18"	450	457	635	864	937	G/BOX	610	1554
20"	500	508	699	914	1115	G/BOX	762	2049
24"	600	610	813	1067	1326	G/BOX	762	3599



Dimensions

ANSI 300

VALVE SIZE		mm						WEIGHT
INCH	mm	A NB Ball	B	C	D	E LEVER HANDWHEEL		kg
14"	350	356	584	762	1112	G/BOX	914	1211
16"	400	406	648	838	916	G/BOX	600	1829
18"	450	457	711	914	1117	G/BOX	800	2248
20"	500	508	775	991	1373	G/BOX	914	3720