

#### Description

The GLV46/47 is a globe valve, with a union bonnet, rising stem/handwheel and integral cast flanges. Manufactured as standard in NiAlBr giving long service life on seawater applications.  
In conformance with the Pressure Equipment Directive 97/23/EC.

Standard Range,  
GLV46 with integral seat,  
Sizes: 1/2" to 2"  
Connections: ANSI 150.

GLV47 with renewable seat,  
Sizes: 1/2" to 2"  
Connections: ANSI 150.

#### Features

Union Bonnet  
Rising stem & handwheel  
Swivel disc  
Multiple ring stem packing  
Back seat facility

#### Options

Integral or renewable seats  
Screw down non-return  
Contoured plug  
Needle plug

#### Materials

**Regularly manufactured in a full range of materials including:**

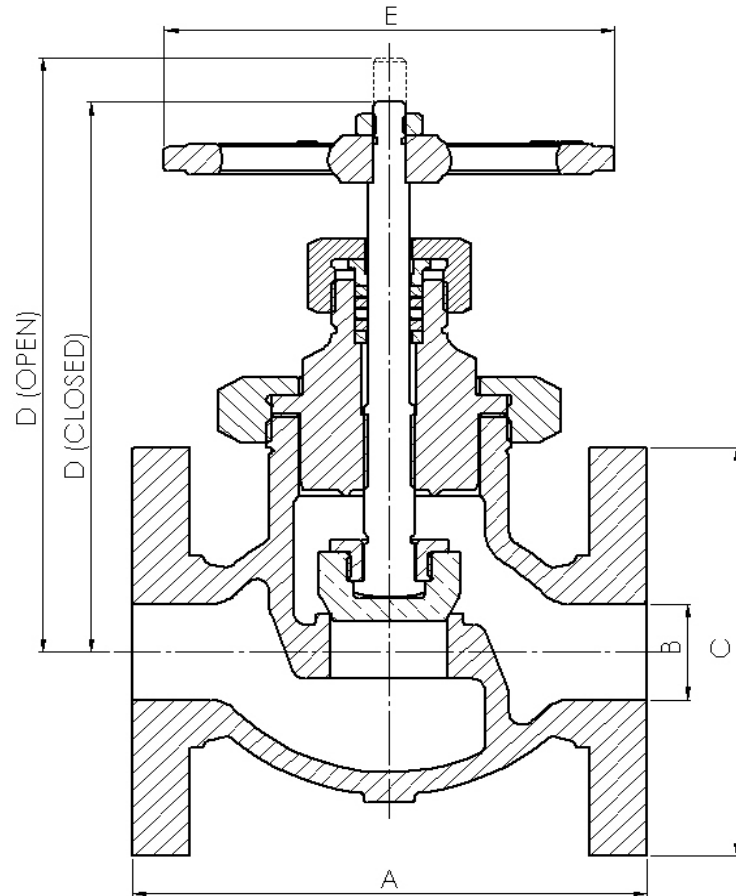
Nickel Aluminium Bronze – ASTM B148  
Nickel Aluminium Bronze - DS02 747 Part 3  
Gunmetal – DS02 830 Part 1  
Bronze – ASTM B61/B62  
Brass – HTB1  
Titanium – ASTM B367  
Hastelloy®  
Monel®

**Other materials available on request**



#### Specifications

ANSI B16.5 Flange Dimensions  
ANSI B16.10 Face to Face Length  
ANSI B16.34 Wall Thickness  
PED Conformity



**Dimensions**

VALVE SIZE		mm						WEIGHT kg
INCH	mm	A	B NB Pipe	C	D			
					CLOSED	OPEN	E	
1/2"	15	108	13	89	109	118	102	2
3/4"	20	117	19	98	119	128	102	2.8
1"	25	127	25	108	145	157	102	4.6
1 1/2"	40	165	38	127	180	200	127	7.9
2"	50	203	51	152	239	266	178	16

**GLV46:**  
shown with integral seats

**GLV47:**  
has renewable seats

