

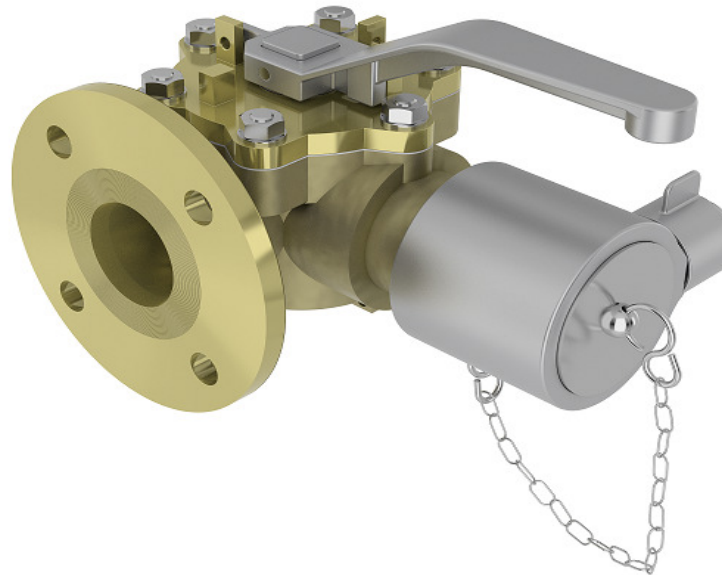
Description

The PLV109 is a full bore angled hydrant plug valve. This hydrant valve has particularly good shock resistance, and is therefore ideal for fire systems in critical locations. Manufactured as standard in Bronze to give long service life on seawater applications.

In conformance with the Pressure Equipment Directive 97/23/EC

Standard Range,
Sizes: 1-1/2" to 2-1/2"
Connections: PN16

Working pressure: 10 Bar
Max. Working temperature: 104degC



Materials

Regularly manufactured in a full range of materials including:

Nickel Aluminium Bronze – ASTM B148 C95800
Nickel Aluminium Bronze - DS02 747 Part 3
Gunmetal – DS02 830 Part 1
Bronze – ASTM B61/B62
Brass – HTB1
Titanium – ASTM B367
Hastelloy®
Monel®

Other materials available on request

Features

Coated taper plug for smooth operation
Renewable seats
Resilient seated
Quarter turn operation
Top entry allows in-line maintenance

Options

Male or female IHC connection

Specifications

Designed specifically for Naval Applications.

Dimensions

PN16

VALVE SIZE		mm			WEIGHT kg	Drg IHC Female	Drg IHC Male
INCH	mm	A	B	C			
1 1/2"	40	41.5	150	11	12.7	1512	1518
2"	50	54	165	11	13.6	1513	1519
2 1/2"	65	72	185	13	14.5	1514	1520

Working pressure: 10 Bar
Max. Working temperature: 104degC

