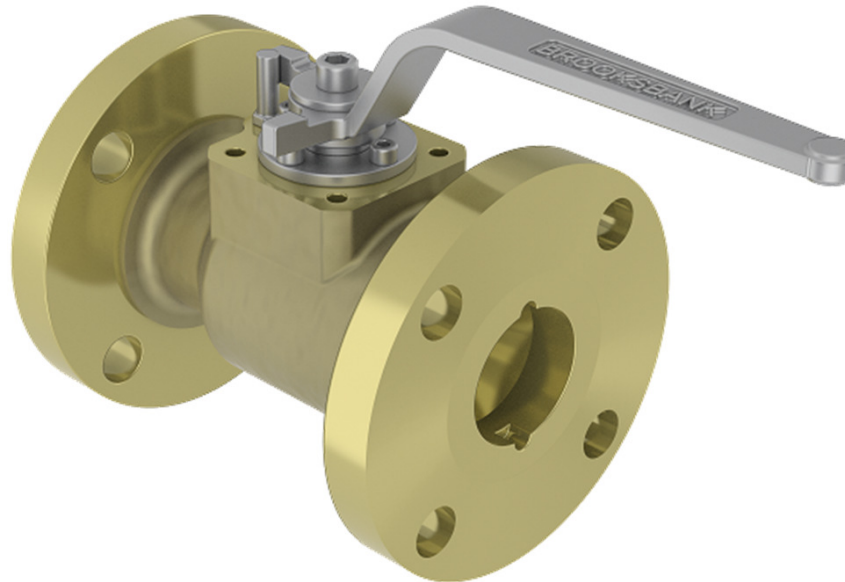


**Description**

The BAV01 is a 1 Piece end entry, reduced bore floating ball valve, with integral cast flanges. Manufactured as standard in NiAlBr giving long service life on seawater applications.

In conformance with the Pressure Equipment Directive 97/23/EC.

Standard Range,  
Sizes: 3/4" to 12"  
Connections: ANSI 150 & 300.



**Materials**

**Regularly manufactured in a full range of materials including:**

- Nickel Aluminium Bronze – ASTM B148
- Nickel Aluminium Bronze - DS02 747 Part 3
- Gunmetal – DS02 830 Part 1
- Bronze – ASTM B61/B62
- Brass – HTB1
- Titanium – ASTM B367
- Hastelloy®
- Monel®

**Other materials available on request**

**Features**

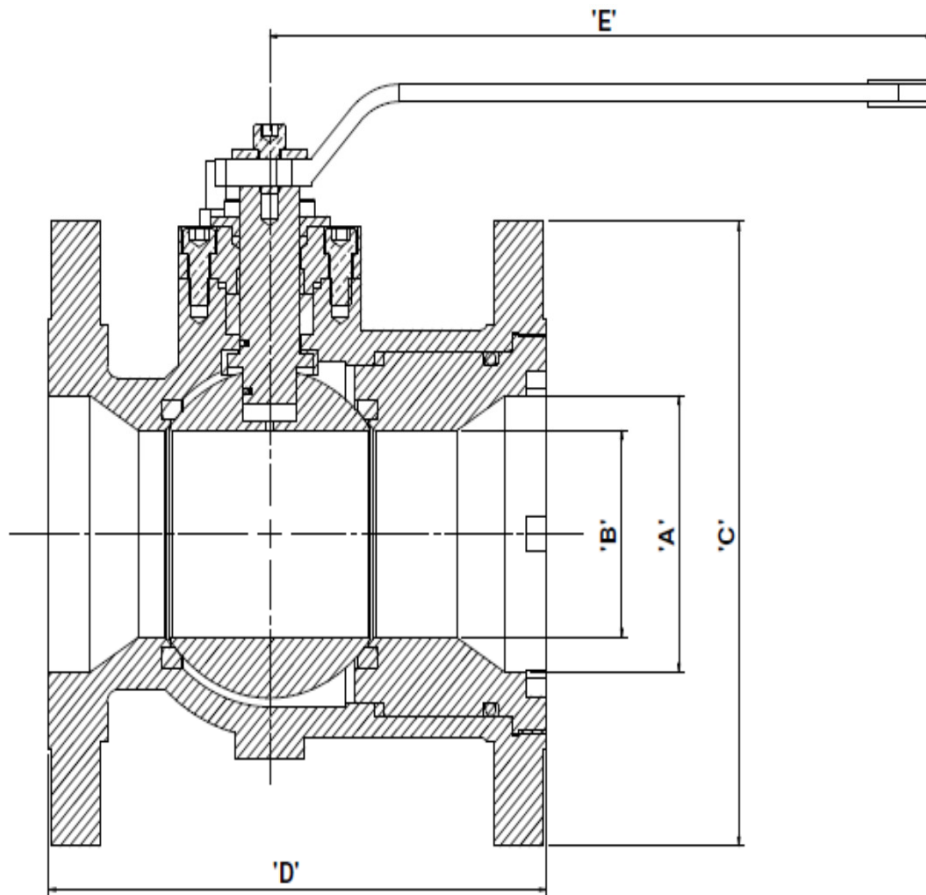
- Anti-static / Anti blowout stem
- Cavity pressure relieving seats
- Pressure equalising ball design
- Firesafe by design
- ISO 5211 mounting platform
- Chevron packing on sizes ≥3"
- Bolted Bonnet (3" and above)
- Bi-directional Flow
- Solid Ball

**Options**

- Bare shaft (for actuation by others)
- Actuation to customer specifications
- Locking facility (open & closed)
- Extended stems (insulation allowance)

**Specifications**

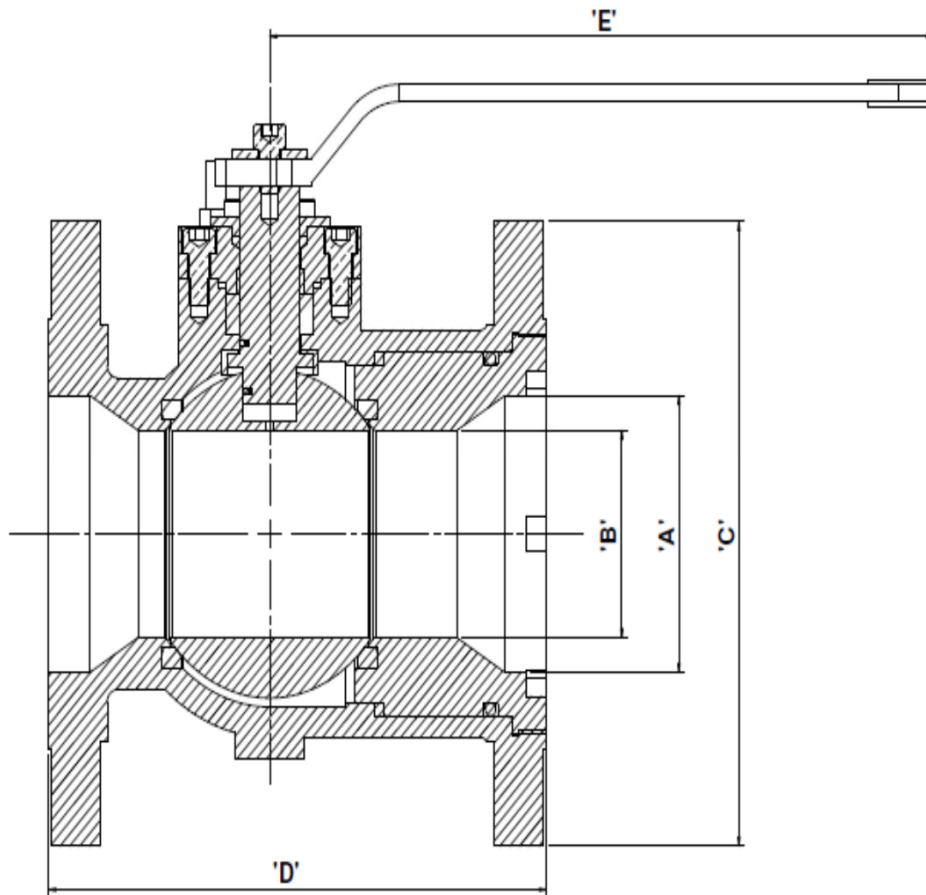
- ANSI B16.5 Flange Dimensions
- ANSI B16.10 Face to Face Length
- ANSI B16.34 Wall Thickness
- PED Conformity
- Designed generally in accordance with:  
API 6D & ISO 17292 (formerly BS5351)



**Dimensions**

**ANSI 150**

VALVE SIZE		mm					WEIGHT kg
INCH	mm	A NB Pipe	B NB Ball	C	D	E	
3/4"	20	20	13	98	117	203	3
1"	25	25	19	108	127	203	4
1 1/4"	32	32	25	118	140	203	5
1 1/2"	40	38	25	127	165	203	5
2"	50	50	38	152	178	203	10
2 1/2"	65	65	51	178	190	305	17
3"	80	76	51	190	203	305	18
4"	100	101	76	229	229	305	27
5"	125	127	102	254	254	610	47
6"	150	152	102	279	267	610	61
8"	200	203	146	343	292	G/BOX	109
10"	250	250	190	406	330	G/BOX	161
12"	300	300	230	483	356	G/BOX	242



**Dimensions**

**ANSI 300**

VALVE SIZE		mm					WEIGHT kg
INCH	mm	A NB Pipe	B NB Ball	C	D	E	
3/4"	20	20	13	118	152	200	4
1"	25	25	19	124	165	200	5
1 1/2"	40	38	25	156	165	200	8
2"	50	50	38	165	216	200	12
2 1/2"	65	65	51	190	241	305	19
3"	80	76	51	210	282	300	25
4"	100	101	76	254	305	300	46
5"	125	127	102	280	305	G/BOX	70
6"	150	152	102	318	404	G/BOX	82
8"	200	203	146	380	420	G/BOX	186
10"	250	250	190	444	458	G/BOX	256
12"	300	300	230	520	648	G/BOX	312