

Series: BUV122
Double Flanged Concentric Butterfly Valve

Description

The BUV122 is a concentric butterfly valve, with a double flanged body. Manufactured as standard in NiAlBr and fully rubber lined, to give long service life on seawater applications. Suitable for bi-directional flow with bubble tight shutoff.

In conformance with the Pressure Equipment Directive 97/23/EC

Standard Range,
Sizes: 2" to 72"
Connections: ANSI 150



Materials

Regularly manufactured in a full range of materials including:

Nickel Aluminium Bronze – ASTM B148
Nickel Aluminium Bronze - DS02 747 Part 3
Gunmetal – DS02 830 Part 1
Bronze – ASTM B61/B62
Brass – HTB1
Titanium – ASTM B367
Hastelloy®
Monel®

Other materials available on request

Features

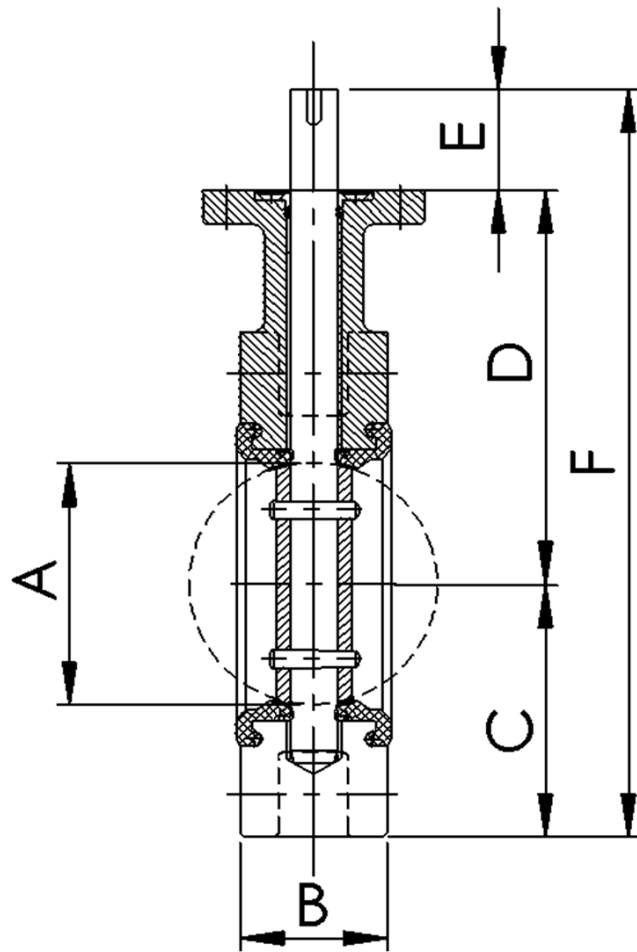
Bi-directional flow
Non Jamming resilient seated
Tight shut-off at full rating
Viton Rubber lined (Export Controlled)
Body liner also provides gasket face
Low pressure drop
Low torque

Options

Lever, gear or actuated operation
Bare shaft
Locking facility
Alternative linings: NBR, EPDM, Silicon, Viton

Specifications

ANSI B16.5 Flange Dimensions
ISO 5752
API 609



Dimensions

ANSI 150

| VALVE SIZE | | mm | | | | | | WEIGHT kg |
|------------|------|--------------|-----|------|------|-----|------|--------------|
| INCH | mm | A NB Pipe | B | C | D | E | F | |
| 2" | 50 | 27 | 40 | 88 | 128 | 33 | 249 | 6 |
| 2 1/2" | 65 | 49 | 40 | 98 | 140 | 33 | 271 | 7 |
| 3" | 80 | 51 | 60 | 105 | 150 | 33 | 288 | 9 |
| 4" | 100 | 82 | 60 | 120 | 165 | 33 | 318 | 12 |
| 5" | 125 | 74 | 100 | 140 | 178 | 33 | 351 | 17 |
| 6" | 150 | 106 | 100 | 165 | 190 | 33 | 388 | 22 |
| 8" | 200 | 170 | 100 | 190 | 230 | 50 | 470 | 34 |
| 10" | 250 | 219 | 110 | 215 | 270 | 50 | 535 | 50 |
| 12" | 296 | 273 | 110 | 251 | 310 | 50 | 611 | 73 |
| 14" | 350 | 312 | 120 | 270 | 335 | 50 | 655 | 99 |
| 16" | 400 | 355 | 130 | 325 | 370 | 60 | 755 | 113 |
| 18" | 450 | 403 | 150 | 347 | 390 | 60 | 797 | 148 |
| 20" | 500 | 458 | 160 | 383 | 420 | 80 | 883 | 165 |
| 22" | 550 | 489 | 170 | 425 | 462 | 80 | 967 | 234 |
| 24" | 600 | 541 | 170 | 453 | 495 | 80 | 1028 | 270 |
| 26" | 650 | 594 | 170 | 490 | 525 | 80 | 1095 | 309 |
| 28" | 700 | 642 | 180 | 515 | 555 | 80 | 1150 | 350 |
| 30" | 750 | 692 | 190 | 550 | 590 | 90 | 1230 | 395 |
| 32" | 800 | 735 | 200 | 592 | 640 | 120 | 1352 | 485 |
| 34" | 850 | 789 | 210 | 612 | 650 | 120 | 1382 | 540 |
| 36" | 900 | 831 | 230 | 658 | 700 | 130 | 1488 | 660 |
| 40" | 1000 | 914 | 250 | 725 | 770 | 150 | 1645 | 780 |
| 44" | 1100 | 1019 | 280 | 760 | 830 | 150 | 1740 | 890 |
| 48" | 1200 | 1093 | 300 | 840 | 890 | 150 | 1880 | 950 |
| 52" | 1300 | 1253 | 300 | 938 | 950 | 160 | 2048 | 1050 |
| 56" | 1400 | 1312 | 330 | 949 | 1000 | 180 | 2129 | 1550 |
| 60" | 1500 | 1436 | 330 | 1024 | 1065 | 180 | 2259 | 1410 |
| 64" | 1600 | 1475 | 360 | 1120 | 1150 | 180 | 2450 | 1580 |
| 72" | 1800 | 1696 | 360 | 1221 | 1270 | 210 | 2701 | 2110 |