

**Description**

The BUV123 is a double eccentric butterfly valve, with a wafer design body. Manufactured as standard in NiAlBr and Teflon seat, to give long service life on seawater applications. Suitable for bi-directional flow with bubble tight shutoff.

In conformance with the Pressure Equipment Directive 97/23/EC

Standard Range,  
Sizes: 2" to 10"  
Connections: ANSI 150 & 300



**Materials**

**Regularly manufactured in a full range of materials including:**

- Nickel Aluminium Bronze – ASTM B148
- Nickel Aluminium Bronze - DS02 747 Part 3
- Gunmetal – DS02 830 Part 1
- Bronze – ASTM B61/B62
- Brass – HTB1
- Titanium – ASTM B367
- Hastelloy®
- Monel®

**Other materials available on request**

**Features**

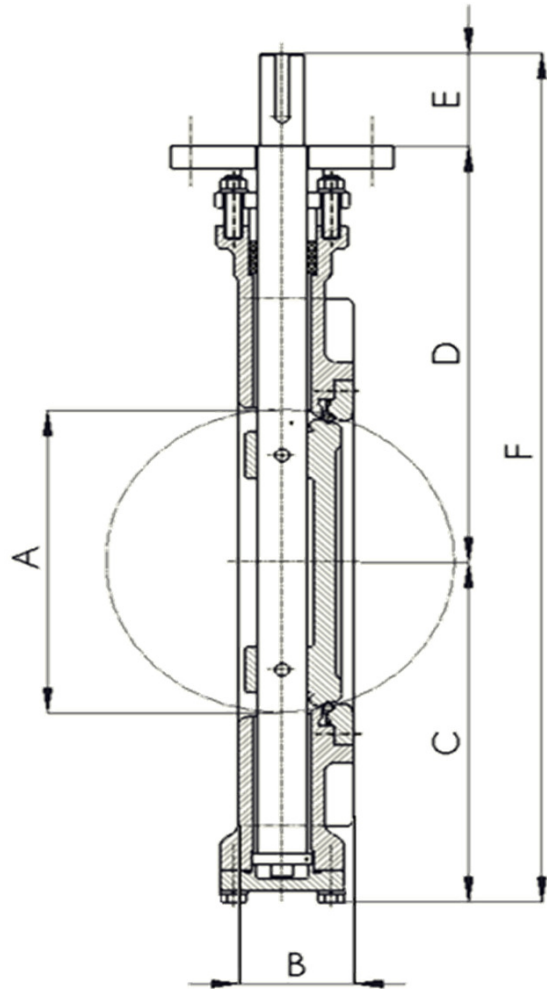
- Double eccentric action
- Bi-directional flow
- Tight shut-off at full rating
- Reduced seat wear
- Internal disc stop to prevent over travel

**Options**

- Rubber, PTFE, RTFE or Metal seats
- Fire-Safe seat option
- Bare shaft
- Lever, gear or actuated operation

**Specifications**

- ANSI B16.5 Flange Dimensions
- ISO 5752
- API 609
- MSS SP68



**Dimensions**

**ANSI 150-300**

VALVE SIZE		mm						WEIGHT kg
INCH	mm	A NB Pipe	B	C	D	E	F	
2"	50	50	43	118	168	45	331	4.5
2 1/2"	65	65	46	133	177	45	355	5.5
3"	80	80	48	144	185	45	374	9
4"	100	100	54	164	200	45	409	10
5"	125	125	57	188	217	45	450	13
6"	150	150	57	205	240	45	490	17
8"	200	200	64	223	270	60	553	26
10"	250	250	71	275	320	60	655	40