

**Description**

The DPCV132 is a dual plate check valve, with a fully lugged wafer design body. Manufactured as standard in NiAlBr and with a soft seat, to give long service life on seawater applications.

In conformance with the Pressure Equipment Directive 97/23/EC

Standard Range,  
Sizes: 2" to 24"  
Connections: ANSI 150 & 300



**Materials**

**Regularly manufactured in a full range of materials including:**

- Nickel Aluminium Bronze – ASTM B148
- Nickel Aluminium Bronze - DS02 747 Part 3
- Gunmetal – DS02 830 Part 1
- Bronze – ASTM B61/B62
- Brass – HTB1
- Titanium – ASTM B367
- Hastelloy®
- Monel®

**Other materials available on request**

**Features**

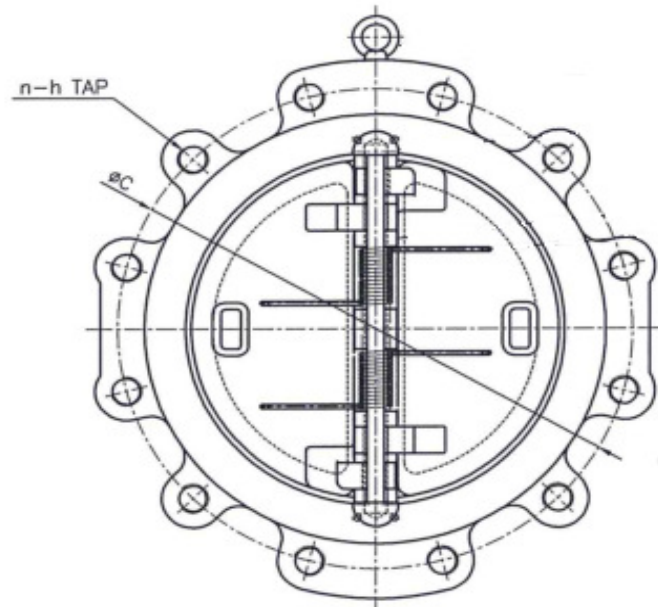
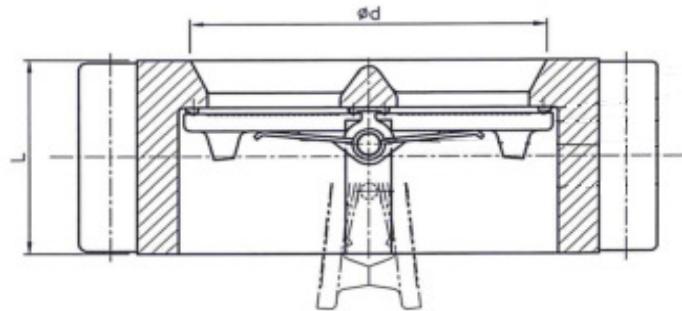
- One piece body
- Dual disc light weight design
- Spring assisted closure
- Soft seat

**Options**

- Trim: EPDM, NBR or Viton
- Metal seat

**Specifications**

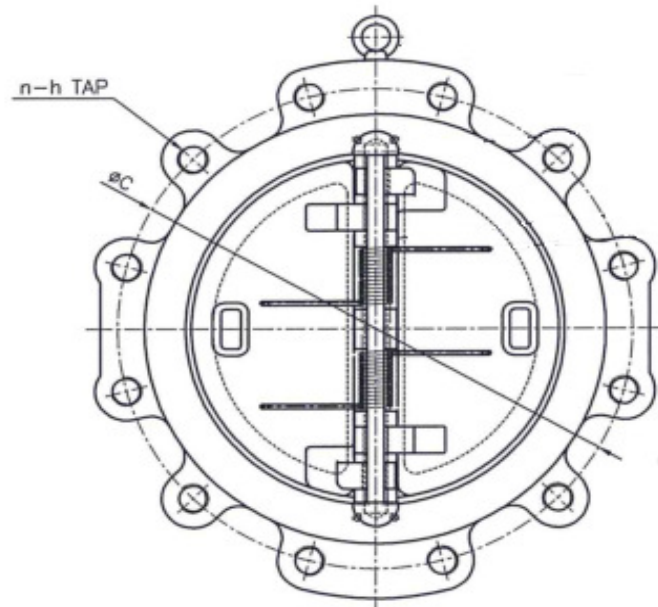
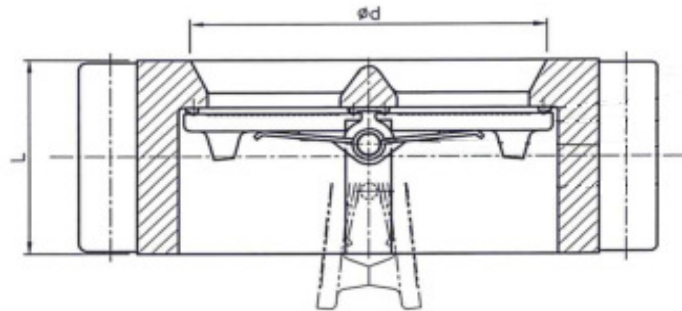
- ANSI B16.5 Flange Dimensions
- ANSI B16.34 Wall Thickness
- PED Conformity



**Dimensions**

**ANSI 150**

VALVE SIZE		mm				WEIGHT kg
INCH	mm	d NB Pipe	L	C dia	n-h	
2"	50	50	60	120.5	4 x 5/8" UNC	
3"	80	80	73	152.5	4 x 5/8" UNC	
4"	100	100	73	190.5	8 x 5/8" UNC	
6"	150	150	98	241.5	8 x 3/4" UNC	
8"	200	200	127	298.5	8 x 3/4" UNC	
10"	250	250	146	362	12 x 7/8" UNC	
12"	300	300	181	432	12 x 7/8" UNC	
14"	350	350	184	476	12 x 1" UNC	
16"	400	400	191	540	16 x 1" UNC	
18"	450	450	203	578	16 x 1-1/8" UNC	
20"	500	500	219	635	20 x 1-1/8" UNC	
24"	600	600	222	750	20 x 1-1/4" UNC	



**Dimensions**

**ANSI 300**

VALVE SIZE	mm					WEIGHT kg
	INCH	mm	d NB Pipe	L	C dia	
2"	50	50	60	127	8 x 5/8" UNC	
3"	80	80	73	168.3	8 x 3/4" UNC	
4"	100	100	73	200	8 x 3/4" UNC	
6"	150	150	98	269.9	12 x 3/4" UNC	
8"	200	200	127	330.2	12 x 7/8" UNC	
10"	250	250	146	387.4	16 x 1" UNC	
12"	300	300	181	450.8	16 x 1-1/8" UNC	
14"	350	350	222	514.4	20 x 1-1/8" UNC	
16"	400	400	232	571.5	20 x 1-1/4" UNC	
18"	450	450	264	628.6	24 x 1-1/4" UNC	
20"	500	500	292	685.8	24 x 1-1/4" UNC	
24"	600	600	318	812.8	24 x 1-1/2" UNC	