

**Full Lugged Wafer Triple Eccentric High Performance Butterfly Valve**

**Description**

The BUV127 is a triple eccentric butterfly valve, with a fully lugged wafer design body. Manufactured as standard in NiAlBr and metal seat, to give long service life on seawater applications. Suitable for bi-directional flow with bubble tight shutoff.

In conformance with the Pressure Equipment Directive 97/23/EC

Standard Range,  
Sizes: 2" to 48"  
Connections: ANSI 150 & 300



**Materials**

**Regularly manufactured in a full range of materials including:**

- Nickel Aluminium Bronze – ASTM B148
- Nickel Aluminium Bronze - DS02 747 Part 3
- Gunmetal – DS02 830 Part 1
- Bronze – ASTM B61/B62
- Brass – HTB1
- Titanium – ASTM B367
- Hastelloy®
- Monel®

**Other materials available on request**

**Features**

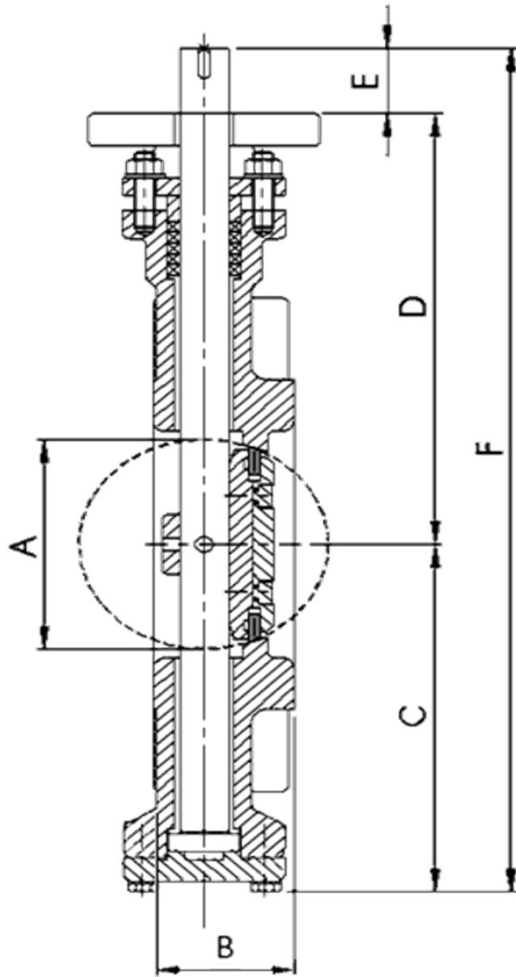
- Triple eccentric action
- Bi-directional flow
- Tight shut-off at full rating
- Long seat life
- High & low temperature capabilities
- Fire-safe design

**Options**

- Laminated metal or solid metal seats
- Bare shaft
- Lever, gear or actuated operation

**Specifications**

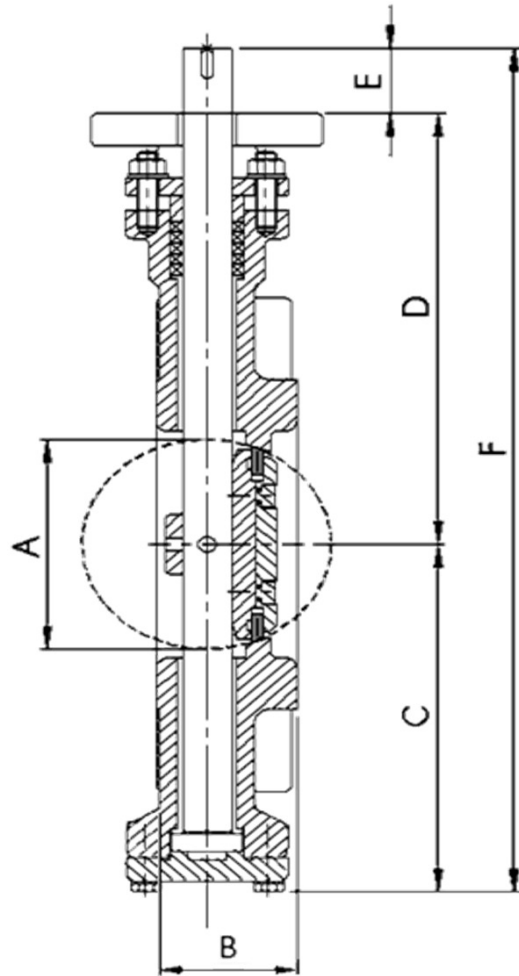
- ANSI B16.5 Flange Dimensions
- ISO 5752
- API 609
- MSS SP68



**Dimensions**

**ANSI 150**

| VALVE SIZE |      | mm           |     |     |     |     |      | WEIGHT<br>kg |
|------------|------|--------------|-----|-----|-----|-----|------|--------------|
| INCH       | mm   | A<br>NB Pipe | B   | C   | D   | E   | F    |              |
| 2"         | 50   | 50           | 43  | 118 | 170 | 45  | 333  |              |
| 2 1/2"     | 65   | 65           | 46  | 129 | 177 | 45  | 351  |              |
| 3"         | 80   | 80           | 48  | 141 | 185 | 45  | 371  |              |
| 4"         | 100  | 100          | 54  | 164 | 200 | 45  | 409  |              |
| 5"         | 125  | 125          | 57  | 187 | 217 | 45  | 449  |              |
| 6"         | 150  | 150          | 57  | 203 | 240 | 45  | 488  |              |
| 8"         | 200  | 200          | 64  | 223 | 270 | 60  | 553  |              |
| 10"        | 250  | 250          | 71  | 270 | 320 | 60  | 650  |              |
| 12"        | 296  | 296          | 81  | 308 | 353 | 60  | 721  |              |
| 14"        | 350  | 350          | 92  | 340 | 390 | 75  | 805  |              |
| 16"        | 400  | 400          | 102 | 381 | 445 | 75  | 901  |              |
| 18"        | 450  | 450          | 114 | 410 | 490 | 100 | 1000 |              |
| 20"        | 500  | 500          | 127 | 444 | 500 | 100 | 1044 |              |
| 22"        | 550  | 550          | 154 | 484 | 535 | 100 | 1119 |              |
| 24"        | 600  | 600          | 154 | 509 | 570 | 100 | 1179 |              |
| 26"        | 650  | 650          | 165 | 545 | 635 | 100 | 1280 |              |
| 28"        | 700  | 700          | 165 | 568 | 670 | 100 | 1338 |              |
| 30"        | 750  | 750          | 190 | 620 | 695 | 150 | 1465 |              |
| 32"        | 800  | 800          | 190 | 645 | 740 | 150 | 1535 |              |
| 36"        | 900  | 900          | 203 | 710 | 805 | 150 | 1665 |              |
| 40"        | 1000 | 1000         | 216 | 770 | 870 | 150 | 1790 |              |
| 44"        | 1100 | 1100         | 240 | 835 | 930 | 180 | 1945 |              |
| 48"        | 1200 | 1200         | 254 | 895 | 995 | 180 | 2070 |              |



**Dimensions**

**ANSI 300**

| VALVE SIZE |      | mm           |     |     |      |     |      | WEIGHT<br>kg |
|------------|------|--------------|-----|-----|------|-----|------|--------------|
| INCH       | mm   | A<br>NB Pipe | B   | C   | D    | E   | F    |              |
| 2"         | 50   | 50           | 43  | 121 | 171  | 45  | 337  |              |
| 2 1/2"     | 65   | 65           | 46  | 137 | 180  | 45  | 362  |              |
| 3"         | 80   | 80           | 48  | 151 | 191  | 45  | 387  |              |
| 4"         | 100  | 100          | 54  | 176 | 215  | 45  | 436  |              |
| 5"         | 125  | 125          | 59  | 194 | 225  | 45  | 464  |              |
| 6"         | 150  | 150          | 61  | 223 | 252  | 45  | 520  |              |
| 8"         | 200  | 200          | 73  | 250 | 305  | 60  | 615  |              |
| 10"        | 250  | 250          | 83  | 290 | 340  | 60  | 690  |              |
| 12"        | 296  | 296          | 92  | 317 | 385  | 60  | 762  |              |
| 14"        | 350  | 350          | 117 | 365 | 400  | 75  | 840  |              |
| 16"        | 400  | 400          | 133 | 396 | 481  | 75  | 952  |              |
| 18"        | 450  | 450          | 149 | 435 | 516  | 100 | 1051 |              |
| 20"        | 500  | 500          | 159 | 473 | 576  | 100 | 1149 |              |
| 22"        | 550  | 550          | 171 | 490 | 601  | 100 | 1191 |              |
| 24"        | 600  | 600          | 182 | 551 | 642  | 100 | 1293 |              |
| 26"        | 650  | 650          | 182 | 579 | 670  | 100 | 1349 |              |
| 28"        | 700  | 700          | 182 | 606 | 708  | 100 | 1414 |              |
| 30"        | 750  | 750          | 210 | 661 | 736  | 150 | 1547 |              |
| 32"        | 800  | 800          | 210 | 683 | 778  | 150 | 1611 |              |
| 36"        | 900  | 900          | 227 | 751 | 846  | 150 | 1747 |              |
| 40"        | 1000 | 1000         | 245 | 770 | 870  | 150 | 1790 |              |
| 44"        | 1100 | 1100         | 305 | 843 | 938  | 180 | 1961 |              |
| 48"        | 1200 | 1200         | 308 | 914 | 1014 | 180 | 2108 |              |