

Full Lugged Wafer Triple Eccentric High Performance Butterfly Valve

Description

The BUV127 is a triple eccentric butterfly valve, with a fully lugged wafer design body. Manufactured as standard in NiAlBr and metal seat, to give long service life on seawater applications. Suitable for bi-directional flow with bubble tight shutoff.

In conformance with the Pressure Equipment Directive 2014/68/EU.

Standard Range,
Sizes: 2" to 48"
Connections: ANSI 150 & 300



Materials

Regularly manufactured in a full range of materials including:

- Nickel Aluminium Bronze – ASTM B148
- Nickel Aluminium Bronze - DS02 747 Part 3
- Gunmetal – DS02 830 Part 1
- Bronze – ASTM B61/B62
- Brass – HTB1
- Titanium – ASTM B367
- Hastelloy®
- Monel®

Other materials available on request

Features

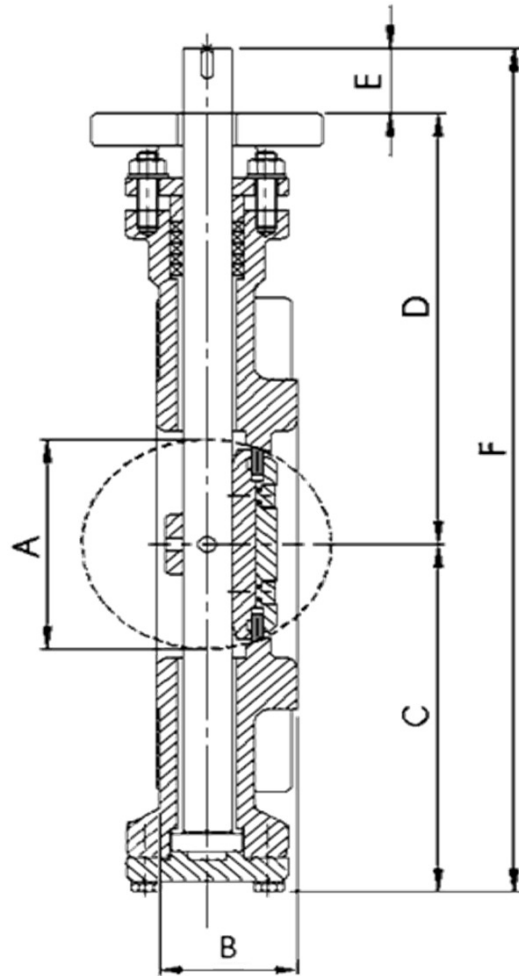
- Triple eccentric action
- Bi-directional flow
- Tight shut-off at full rating
- Long seat life
- High & low temperature capabilities
- Fire-safe design

Options

- Laminated metal or solid metal seats
- Bare shaft
- Lever, gear or actuated operation

Specifications

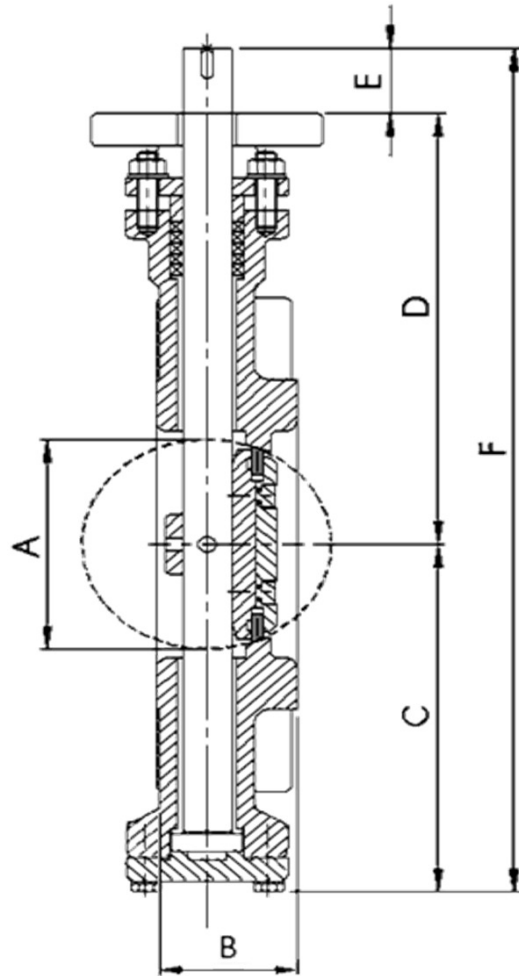
- ASME B16.5 Flange
- Dimensions ISO 5752
- API 609
- MSS SP68



Dimensions

ANSI 150

VALVE SIZE		mm						WEIGHT kg
INCH	mm	A NB Pipe	B	C	D	E	F	
2"	50	50	43	118	170	45	333	
2 1/2"	65	65	46	129	177	45	351	
3"	80	80	48	141	185	45	371	
4"	100	100	54	164	200	45	409	
5"	125	125	57	187	217	45	449	
6"	150	150	57	203	240	45	488	
8"	200	200	64	223	270	60	553	
10"	250	250	71	270	320	60	650	
12"	296	296	81	308	353	60	721	
14"	350	350	92	340	390	75	805	
16"	400	400	102	381	445	75	901	
18"	450	450	114	410	490	100	1000	
20"	500	500	127	444	500	100	1044	
22"	550	550	154	484	535	100	1119	
24"	600	600	154	509	570	100	1179	
26"	650	650	165	545	635	100	1280	
28"	700	700	165	568	670	100	1338	
30"	750	750	190	620	695	150	1465	
32"	800	800	190	645	740	150	1535	
36"	900	900	203	710	805	150	1665	
40"	1000	1000	216	770	870	150	1790	
44"	1100	1100	240	835	930	180	1945	
48"	1200	1200	254	895	995	180	2070	



Dimensions

ANSI 300

VALVE SIZE		mm						WEIGHT kg
INCH	mm	A NB Pipe	B	C	D	E	F	
2"	50	50	43	121	171	45	337	
2 1/2"	65	65	46	137	180	45	362	
3"	80	80	48	151	191	45	387	
4"	100	100	54	176	215	45	436	
5"	125	125	59	194	225	45	464	
6"	150	150	61	223	252	45	520	
8"	200	200	73	250	305	60	615	
10"	250	250	83	290	340	60	690	
12"	296	296	92	317	385	60	762	
14"	350	350	117	365	400	75	840	
16"	400	400	133	396	481	75	952	
18"	450	450	149	435	516	100	1051	
20"	500	500	159	473	576	100	1149	
22"	550	550	171	490	601	100	1191	
24"	600	600	182	551	642	100	1293	
26"	650	650	182	579	670	100	1349	
28"	700	700	182	606	708	100	1414	
30"	750	750	210	661	736	150	1547	
32"	800	800	210	683	778	150	1611	
36"	900	900	227	751	846	150	1747	
40"	1000	1000	245	770	870	150	1790	
44"	1100	1100	305	843	938	180	1961	
48"	1200	1200	308	914	1014	180	2108	