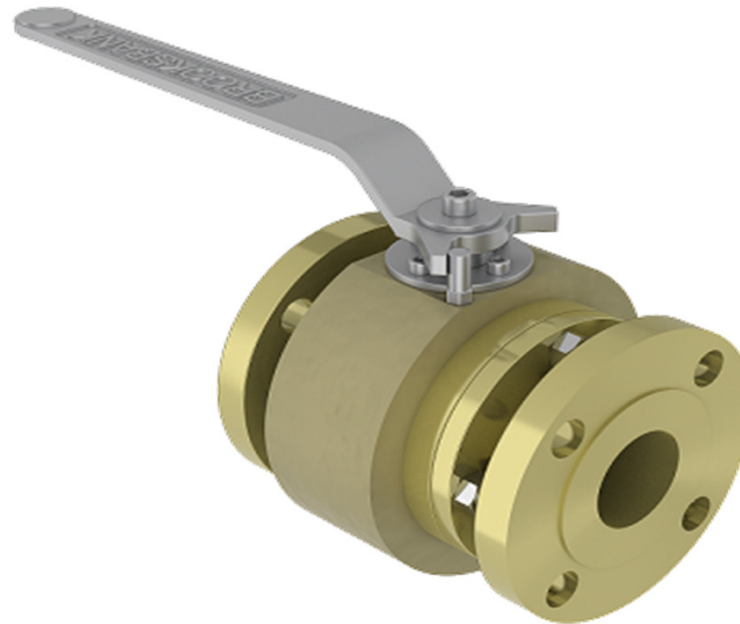


Description

The BAV119 is a flanged 2 Piece bolted body, reduced bore floating ball valve, of wrought / forged construction. Manufactured as standard in specialist alloys for long service life in highly corrosive applications.

In conformance with the Pressure Equipment Directive 97/23/EC.

Standard Range, Sizes: 1/2" to 3"
Connections: ANSI 150



Materials

Regularly manufactured in a full range of materials including:

- Nickel Aluminium Bronze
- Bronze
- Titanium
- Hastelloy®
- Monel®

Other materials available on request

Features

- Anti-static / Anti blowout stem
- Cavity pressure relieving seats
- Pressure equalising ball design
- Bi-directional Flow
- Solid Ball

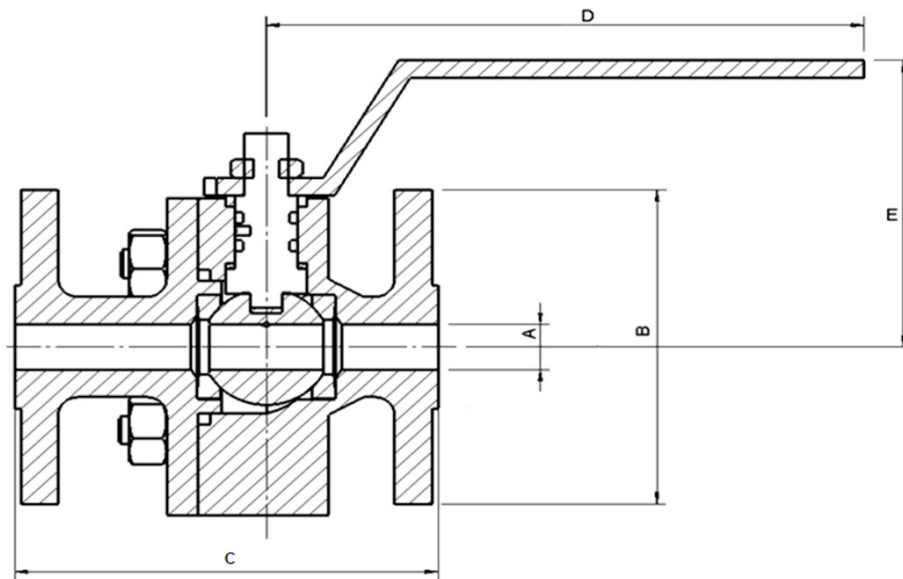
Options

- Locking facility (open & closed)
- Extended stems (insulation allowance)

Specifications

Designed specifically for Naval Applications.

Dimensions



VALVE SIZE		mm					WEIGHT	Drg
INCH	mm	A	B	C	D	kg		
1/2"	15	15	89	108	152	81	3.5	3881
3/4"	20	20	105	117	140	106	4.2	3115
1"	25	25	108	127	206	87	7.75	3834
1 1/2"	40	40	127	165	215	122	9	4211
2"	50	50	152	178	205	130	15	3804
3"	80	76	191	203	230	167	23	3504