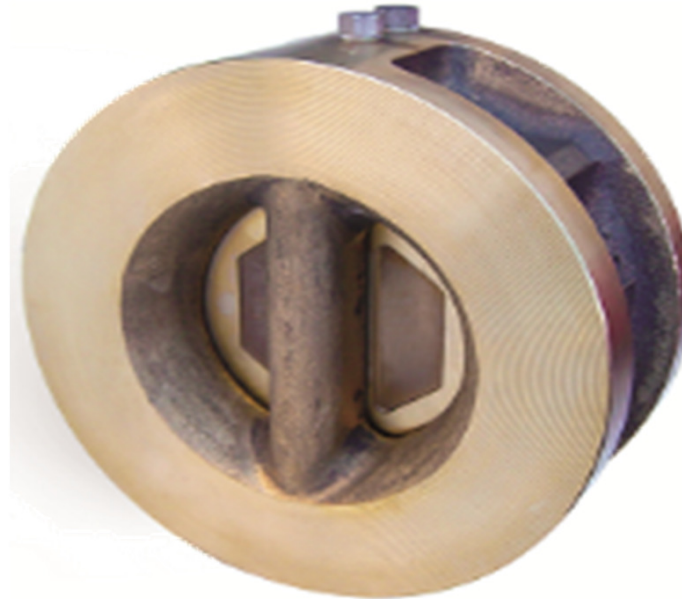


Description

The DPCV130 is a dual plate check valve, with a wafer design body. Manufactured as standard in NiAlBr and with a soft seat, to give long service life on seawater applications.

In conformance with the Pressure Equipment Directive 97/23/EC

Standard Range,
Sizes: 2" to 24"
Connections: ANSI 150 & 300



Materials

Regularly manufactured in a full range of materials including:

- Nickel Aluminium Bronze – ASTM B148
- Nickel Aluminium Bronze - DS02 747 Part 3
- Gunmetal – DS02 830 Part 1
- Bronze – ASTM B61/B62
- Brass – HTB1
- Titanium – ASTM B367
- Hastelloy®
- Monel®

Other materials available on request

Features

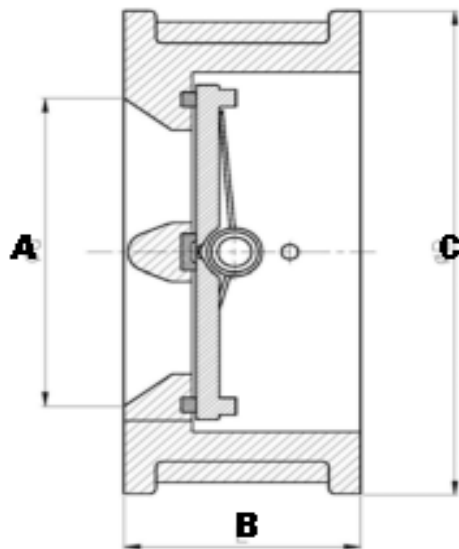
- One piece body
- Dual disc light weight design
- Spring assisted closure
- Soft seat

Options

- Trim: EPDM, NBR or Viton
- Metal seat

Specifications

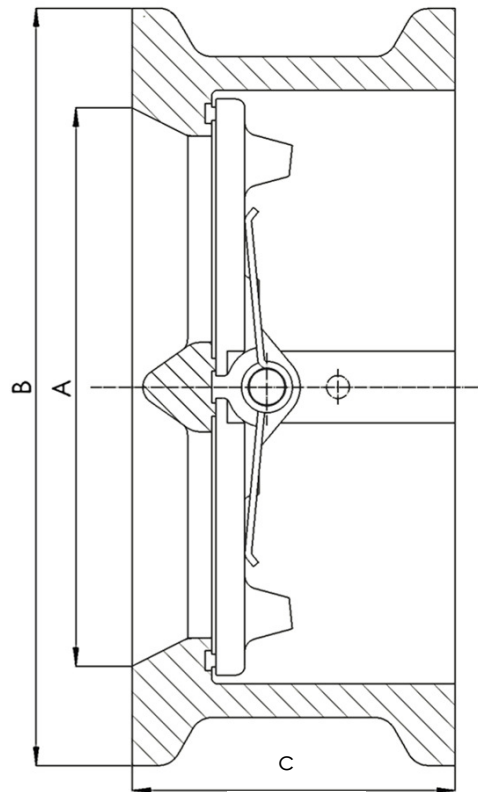
- ANSI B16.5 Flange Dimensions
- ANSI B16.34 Wall Thickness
- PED Conformity



Dimensions

ANSI 150

VALVE SIZE		mm			WEIGHT kg
INCH	mm	A NB Pipe	B	C	
2"	50	50	60	105	
2 1/2"	65	65	67	124	
3"	80	80	73	137	
4"	100	100	73	175	
5"	125	125	86	197	
6"	150	150	98	222	
8"	200	200	127	279	
10"	250	250	146	340	
12"	296	296	181	410	
14"	350	350	184	451	
16"	400	400	191	514	
18"	450	450	203	549	
20"	500	500	219	606	
24"	600	600	222	718	



Dimensions

ANSI 300

VALVE SIZE		mm			WEIGHT kg
INCH	mm	A NB Pipe	B	C	
2"	50	50	60	111	
2 1/2"	65	65	67	130	
3"	80	80	73	149	
4"	100	100	73	181	
5"	125	125	86	216	
6"	150	150	98	251	
8"	200	200	127	308	
10"	250	250	146	362	
12"	296	296	181	422	
14"	350	350	222	486	
16"	400	400	232	540	
18"	450	450	264	597	
20"	500	500	292	654	
24"	600	600	318	775	