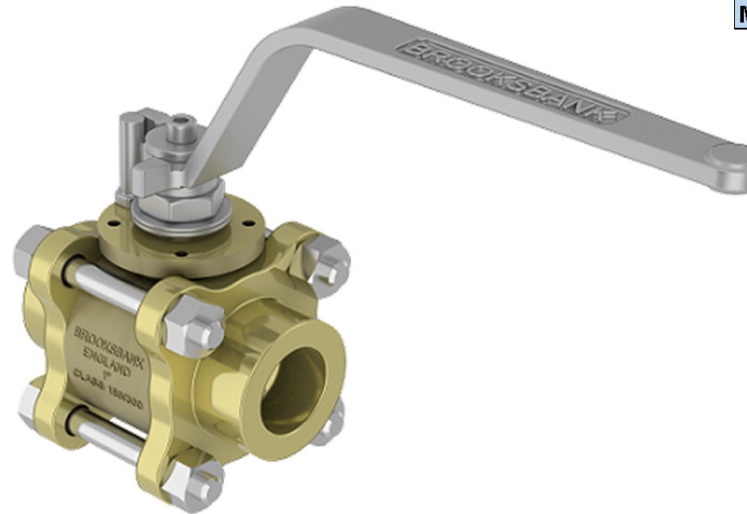


Description

The BAV08 is a 3 Piece bolted, full bore floating ball valve. Manufactured as standard in NiAlBr giving long service life on seawater applications.

In conformance with the Pressure Equipment Directive 97/23/EC.

Standard Range,
Sizes: Screwed 1/2" to 3"
Sizes: Flanged 1/2" to 4"
Connections: Screwed, ANSI 150 & 300.



Materials

Regularly manufactured in a full range of materials including:

- Nickel Aluminium Bronze – ASTM B148
- Nickel Aluminium Bronze - DS02 747 Part 3
- Gunmetal – DS02 830 Part 1
- Bronze – ASTM B61/B62
- Brass – HTB1
- Titanium – ASTM B367
- Hastelloy®
- Monel®

Other materials available on request

Features

- Anti-static / Anti blowout stem
- Cavity pressure relieving seats
- Pressure equalising ball design
- ISO 5211 mounting platform (on 1" & above)
- Bi-directional Flow
- Solid Ball

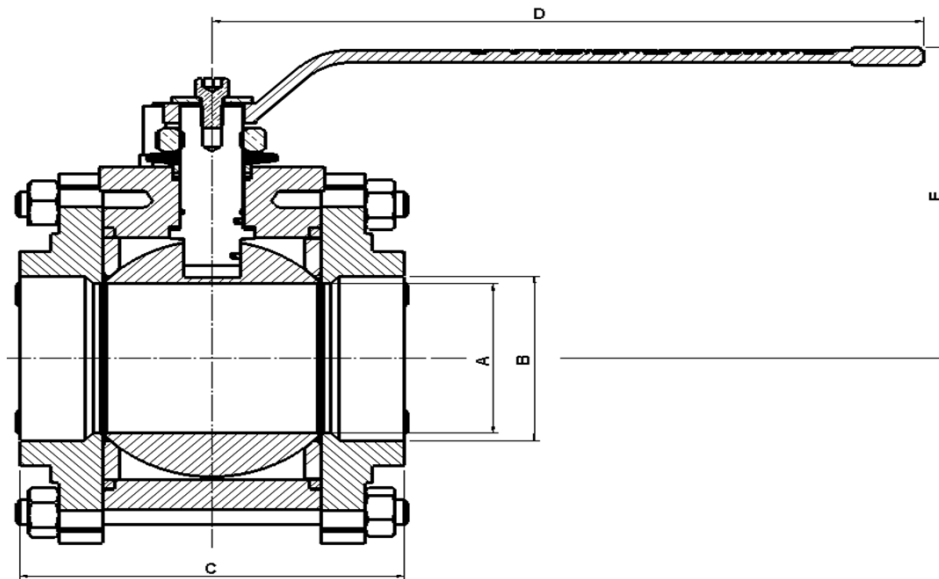
Options

- Bare shaft (for actuation by others)
- Actuation to customer specifications)
- Locking facility (open & closed)
- Extended stems (insulation allowance)

Specifications

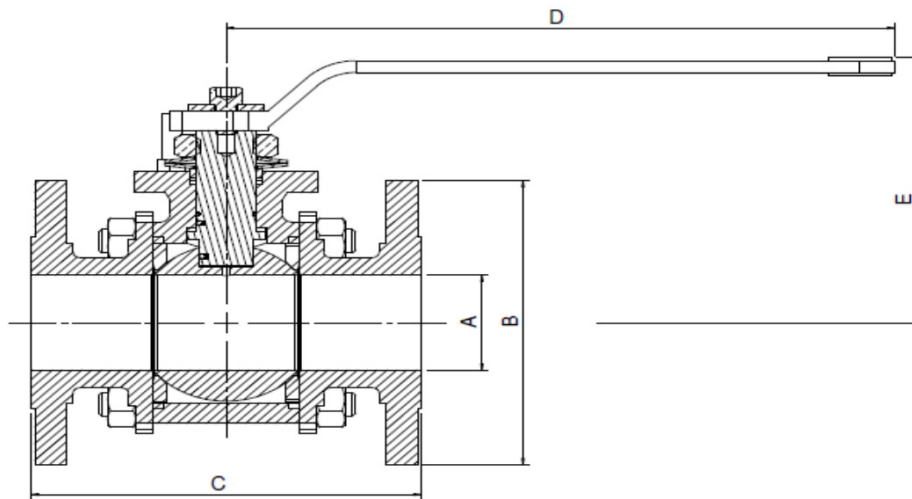
- ANSI B16.5 Flange Dimensions
- ANSI B16.10 Face to Face Length
- ANSI B1-20.1 Screwed Ends with overall length to manufacturers standard.
- ANSI B16.34 Wall Thickness
- PED Conformity
- Designed generally in accordance with: API 6D & ISO 17292 (formerly BS5351)

Dimensions



VALVE SIZE		mm unless stated					WEIGHT kg
INCH	mm	A NB Ball	B Thread	C	D	E	
1/2"	13	13	1/2" NPT	68	157	72	0.9
3/4"	20	20	3/4" NPT	76	195	112	1.2
1"	25	25	1" NPT	98	195	132	2.4
1 1/4"	32	32	1 1/4" NPT	111	195	127.8	3.6
1 1/2"	40	38	1 1/2" NPT	111	195	134	4.4
2"	50	50	2" NPT	120	195	134	7.4
2 1/2"	65	51	2 1/2" NPT	150	289	152	12.5
3"	80	76	3" NPT	165	289	159	17

Pressure class: 150/300#

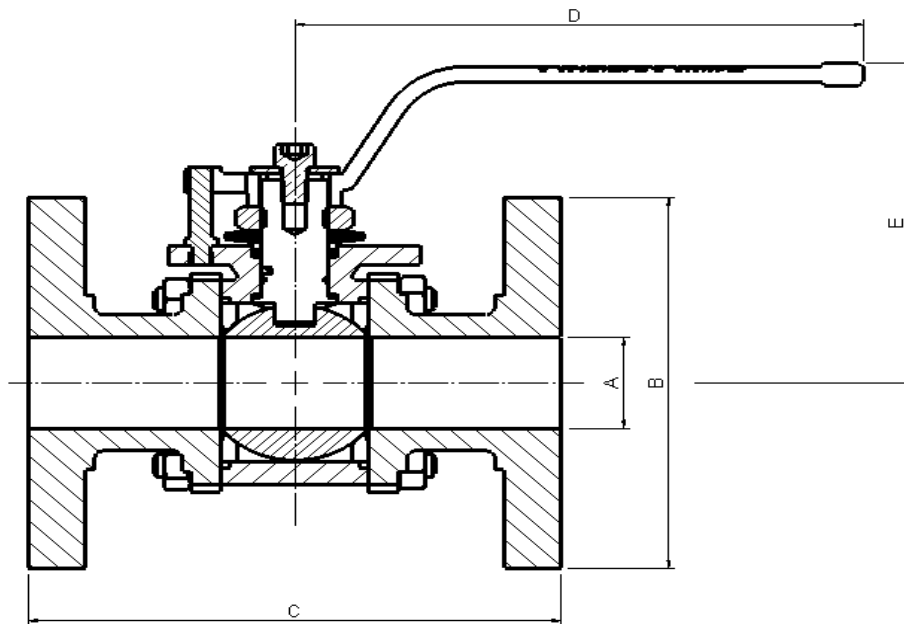


Dimensions

ANSI 150

VALVE SIZE		mm					WEIGHT kg
INCH	mm	A NB Ball	B	C	D	E	
1/2"	15	13	89	108	157	72	1.6
3/4"	20	19	98	117	203	114	2.4
1"	25	25	108	127	203	132	3.5
1 1/2"	40	38	127	165	200	134	6.7
2"	50	51	152	178	305	142	11
2 1/2"	65	64	178	190	305	152	17
3"	80	76	191	203	305	159	22
4"	100	102	229	229	600	197	40

Dimensions



VALVE SIZE		mm					WEIGHT kg
INCH	mm	A NB Ball	B	C	D	E	
1/2"	15	13	95	140	165	72	3
3/4"	20	19	117	151	203	114	4
1"	25	25	108	127	203	132	4
1 1/2"	40	38	127	165	200	134	7
2"	50	51	152	178	305	142	11
2 1/2"	65	64	178	190	305	152	17
3"	80	76	210	203	305	159	31
4"	100	102	254	304	610	197	56