

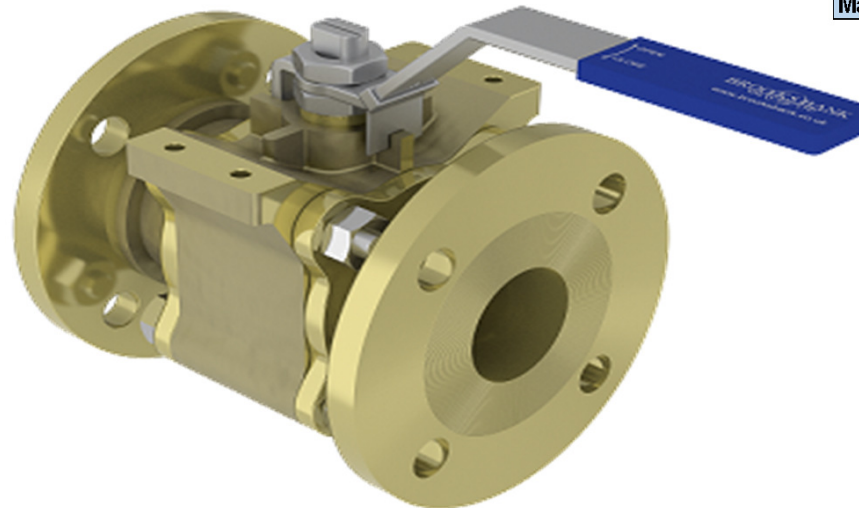
Description

The BAV114 is a 3 Piece bolted body, reduced bore floating ball valve, with optional connections. Manufactured as standard in NiAlBr giving long service life on seawater applications.

In conformance with the Pressure Equipment Directive 97/23/EC.

Standard Range, Sizes: 1/2" to 3"
Connections: Screwed & PN16.

Screwed rating: 150/300#



Materials

Regularly manufactured in a full range of materials including:

- Nickel Aluminium Bronze – ASTM B148
- Nickel Aluminium Bronze - DS02 747 Part 3
- Gunmetal – DS02 830 Part 1
- Bronze – ASTM B61/B62
- Brass – HTB1
- Titanium – ASTM B367
- Hastelloy®
- Monel®

Other materials available on request

Features

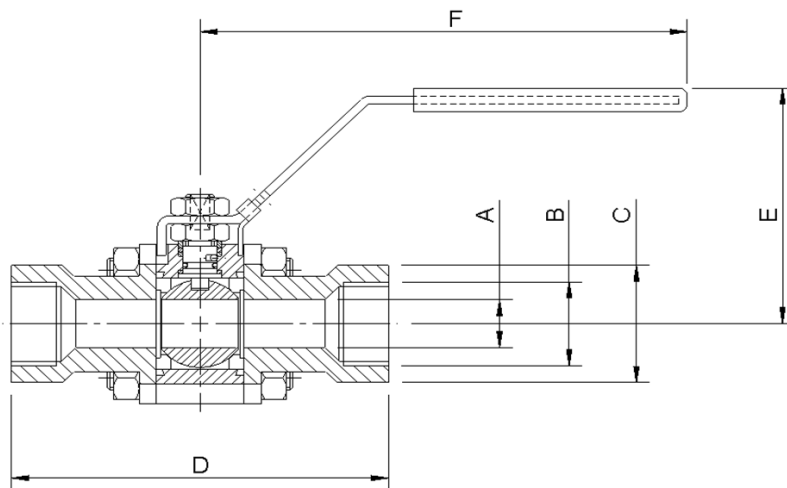
- Anti-static / Anti blowout stem
- Cavity pressure relieving seats
- Pressure equalising ball design
- Bi-directional Flow
- Solid Ball

Options

- Bare shaft (for actuation by others)
- Actuation to customer specifications
- Locking facility (open & closed)
- Extended stems (insulation allowance)

Specifications

Designed specifically for Naval Applications.

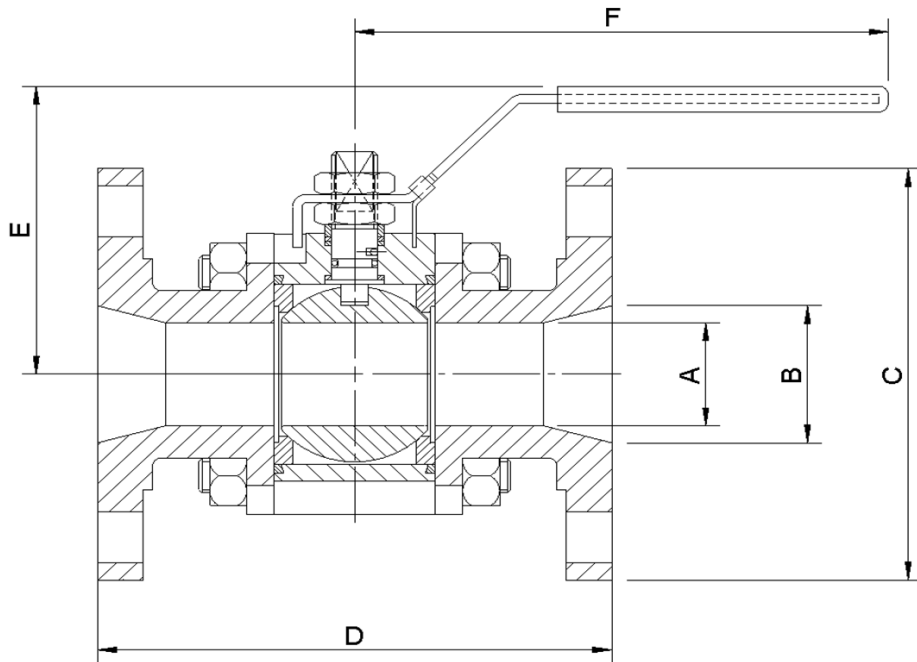


Dimensions

Screwed

VALVE SIZE		mm						WEIGHT	
INCH	mm	A	B	C	D	E	F	kg	Drg
1/2"	15	9.5	1/2"	28	65	86	180	0.85	4013
3/4"	20	15	3/4"	37	137	86	180	3	4059
1"	25	20	1"	47	140	90	180	4	4220
1 1/2"	40	25	1 1/2"	60	160	104	180	5.5	4043
2"	50	40	2"	76	128	104	180	8	4029
2 1/2"	65		2 1/2"	106	245	130	230	15	4041
3"	80	50	3"	106	245	130	230	13.5	4302

Screwed rating 150/300#



Dimensions

PN16

VALVE SIZE		mm						WEIGHT	Drg
INCH	mm	A	B	C	D	E	F	kg	
1/2"	15	9.5	15	89	108	86	178	1.75	4013
3/4"	20	13	20	98	117	86	178	2.25	4059
1"	25	20	25	115	150	90	180	3.5	4220
1 1/2"	40	25	40	17	165	90	180	5.75	4043
2"	50	38	50	152	178	104	180	9	4029
2 1/2"	65	51	65	178	190	130	203	15	4041
3"	80	51	80	191	203	130	203	14	4302