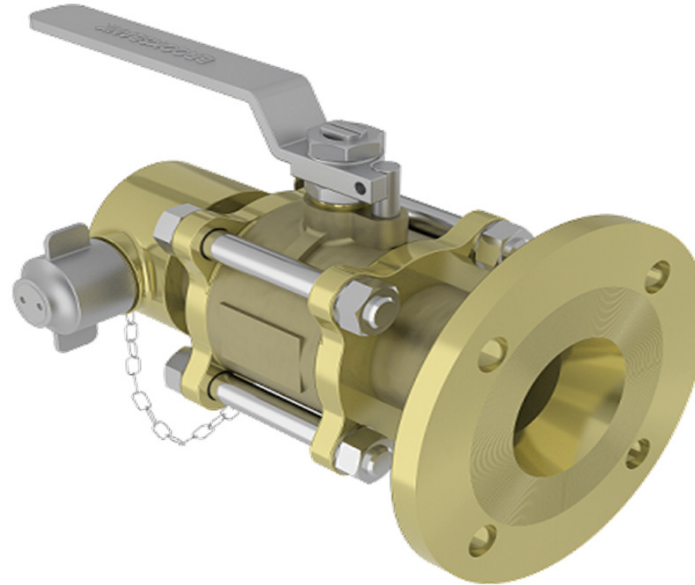


**Description**

The BAV115 is a full bore (2-1/2" is reduced bore) straight through hydrant floating ball valve. Manufactured as standard in Bronze to give long service life on seawater applications.

In conformance with the Pressure Equipment Directive 97/23/EC

Standard Range,  
Sizes: 1-1/2" to 2-1/2"  
Connections: PN16 with IHC male or female connectors.



**Materials**

**Regularly manufactured in a full range of materials including:**

- Nickel Aluminium Bronze – ASTM B148
- Nickel Aluminium Bronze - DS02 747 Part 3
- Gunmetal – DS02 830 Part 1
- Bronze – ASTM B61/B62
- Brass – HTB1
- Titanium – ASTM B367
- Hastelloy®
- Monel®

**Other materials available on request**

**Features**

- Anti-static / Anti blowout stem
- Solid Ball

**Options**

- Male or female IHC connection
- Locking facility
- Extended stems (insulation allowance)

**Specifications**

- Designed specifically for Naval Applications.
- PED Conformity
- BS4504, BS5351 & BS336

**Dimensions**

**PN16**

VALVE SIZE		mm						WEIGHT kg	Drg IHC Female	Drg IHC Male
INCH	mm	A NB Pipe	B NB Ball	C	D	E	F			
1 1/2"	40	40	40	150	207	178	104	11	1870	1873
2"	50	50	50	165	217	203	129	12.5	1871	1874
2 1/2"	65	65	50	185	223	203	129	14	1872	1875

