

**Description**

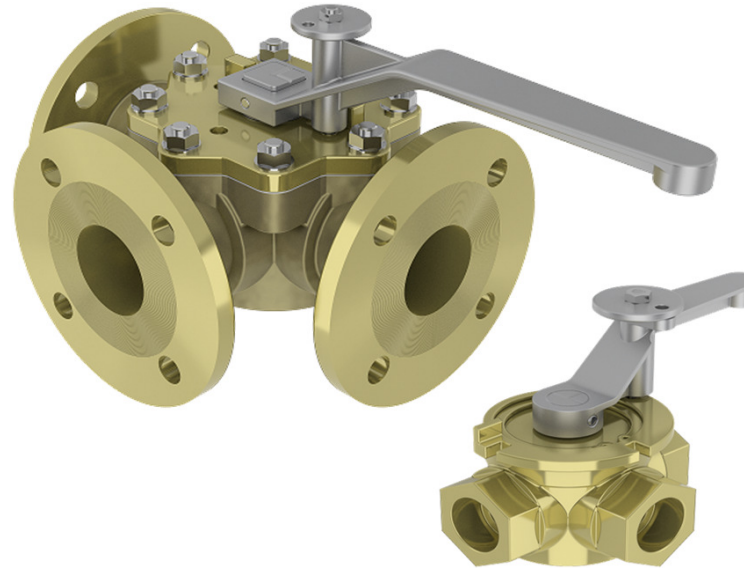
The PLV104 is a 3-way full bore diverter plug valve. Available in "L" or "T" port configurations. Manufactured as standard in Bronze to give long service life on seawater applications.

In conformance with the Pressure Equipment Directive 97/23/EC

Standard Range,

Sizes: 1/4" to 6"  
Connections: Screwed & PN16

Working pressure: 10 Bar (Class PN10)  
Max. Working temperature: 104 degC



**Materials**

**Regularly manufactured in a full range of materials including:**

- Nickel Aluminium Bronze – ASTM B148
- Nickel Aluminium Bronze - DS02 747 Part 3
- Gunmetal – DS02 830 Part 1
- Bronze – ASTM B61/B62
- Brass – HTB1
- Titanium – ASTM B367
- Hastelloy®
- Monel®

**Other materials available on request**

**Features**

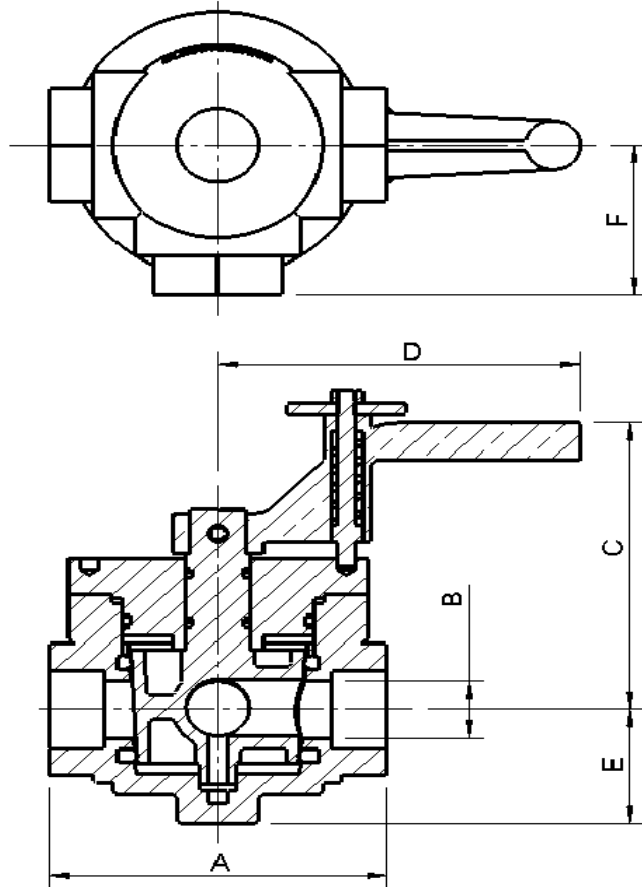
- Coated taper plug for smooth operation
- Renewable seats
- Resilient seated
- Top entry allows in-line maintenance

**Options**

- "L" or "T" port configurations
- Locking facility (in all 3 positions)

**Specifications**

Designed specifically for Naval Applications.

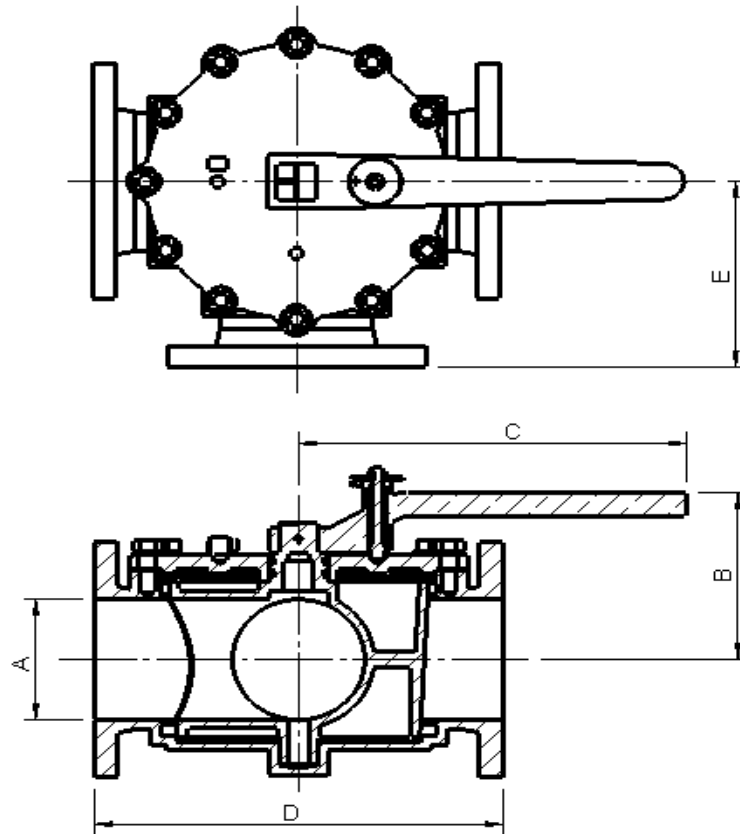


**Dimensions**

**Screwed**

VALVE SIZE		mm						WEIGHT kg	Drg T-Port	Drg L-Port
INCH	mm	A	B NB	C	D	E	F			
1/4"	6	70	6.4	56	90	18	35	0.7	1609	1610
3/8"	10	80	10.4	63	100	29	40	1	1611	1612
1/2"	15	80	14	63	100	29	40	1	1613	1614
3/4"	20	102	18	80	115	38	51	1.6	1615	1616
1"	25	116	22	102	125	40	58	2.3	1617	1618
1 1/4"	32	130	27	107	150	46	65	3	1619	1620
1 1/2"	40	150	35	120	175	53	75	7	1621	1622

Working pressure: 10 Bar  
Max. Working temperature: 104 degC



**Dimensions**

**PN16**

VALVE SIZE		mm					WEIGHT kg	Drg T-Port	Drg L-Port
INCH	mm	A	B	C	D	E			
3/8"	10	14	76	100	150	75	3	1695	1756
1/2"	15	18	92	115	150	75	3	1735	1737
3/4"	20	22	89	125	165	80	5	1623	1624
1"	25	27	94	150	165	82.5	5	1625	1626
1 1/4"	32	35	106	175	200	100	10	1627	1628
1 1/2"	40	41.5	107	200	221	110.5	13	1629	1630
2"	50	54	120	220	241	121	16	1631	1632
2 1/2"	65	72.1	136	245	267	133	35	1633	1634
3"	80	83.9	150	300	305	152	50	1635	1636
4"	100	103	166	325	356	178	63	1637	1638
5"	125	128	176	375	394	197	82	1639	1640
6"	150	154	195	425	458	229	116	1641	1642

Working pressure: 10 Bar  
Max. Working temperature: 104 degC