

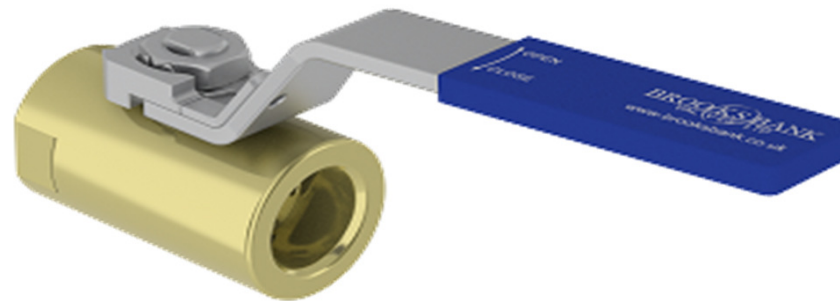
**Description**

The BAV56 is a 1 Piece barstock, reduced bore floating ball valve, made from bar stock. Manufactured as standard in NiAlBr giving long service life on seawater applications.

In conformance with the Pressure Equipment Directive 97/23/EC.

Standard Range,  
Sizes: 3/4" to 2"  
Connections: Screwed

Pressure Class 900#  
Maximum working pressure:  
2000 psi with suitable seat material.



**Materials**

**Regularly manufactured in a full range of materials including:**

Nickel Aluminium Bronze  
Bronze  
Titanium  
Hastelloy®  
Monel®

**Other materials available on request**

**Features**

Anti-static / Anti blowout stem  
Cavity pressure relieving seats  
Pressure equalising ball design  
Bi-directional Flow  
Solid Ball

**Options**

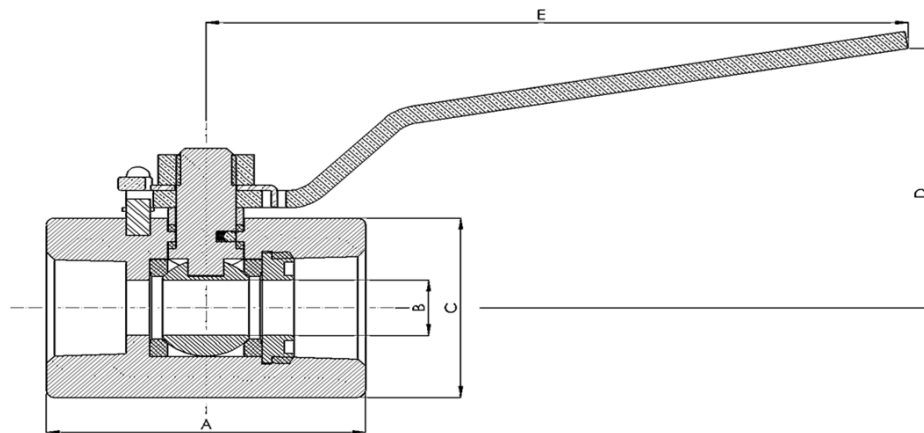
Locking facility (open & closed)  
Extended stems (insulation allowance)  
Range of seat materials:  
PTFE, RPTFE, etc.

**Specifications**

PED Conformity  
ANSI B1-20.1 Screwed ends  
Designed generally in accordance with: API 6D & ISO 17292 (formerly BS5351)

**Dimensions**

**Screwed NPT**



VALVE SIZE		mm					WEIGHT kg
INCH	mm	A	B NB Ball	C	D	E	
3/4"	20	67	13	41	59	140	0.7
1"	25	84	16	49	70	178	1.3
1 1/2"	40	108	25	77	103	278	3.8
2"	50	127	32	85	106	278	4.9

Pressure Class 900#  
Max Working pressure:  
2000 psi with suitable soft trim.