

Description

The PCV74/75 is a piston check valve, with a spring-loaded piston and integral cast flanges or screwed connections. Manufactured as standard in NiAlBr giving long service life on seawater applications.
In conformance with the Pressure Equipment Directive 97/23/EC

Standard Range,
PCV74 with integral seat,
Sizes: 1/2" to 10"
Connections: ANSI 150 & 300. Screwed up to 2"

PCV75 with renewable seat,
Sizes: 2" to 10"
Connections: ANSI 150 & 300. Screwed up to 2"

Features

Bolted Bonnet
Spring loaded piston

Options

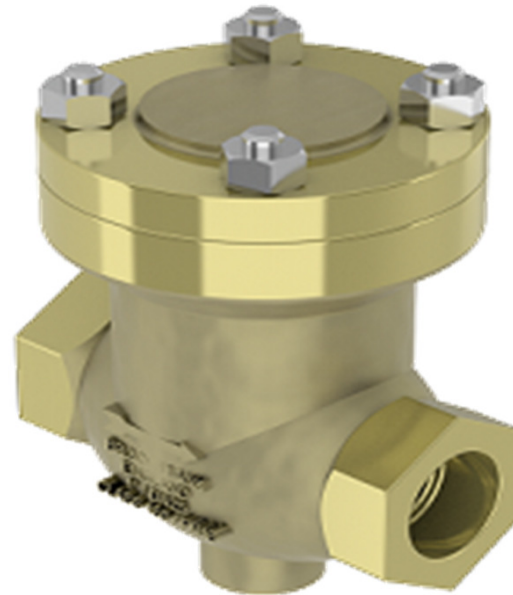
Integral or renewable seats
Drain plug
Resilient seat
Alternative threads: NPT, BSPP, BSPT

Materials

Regularly manufactured in a full range of materials including:

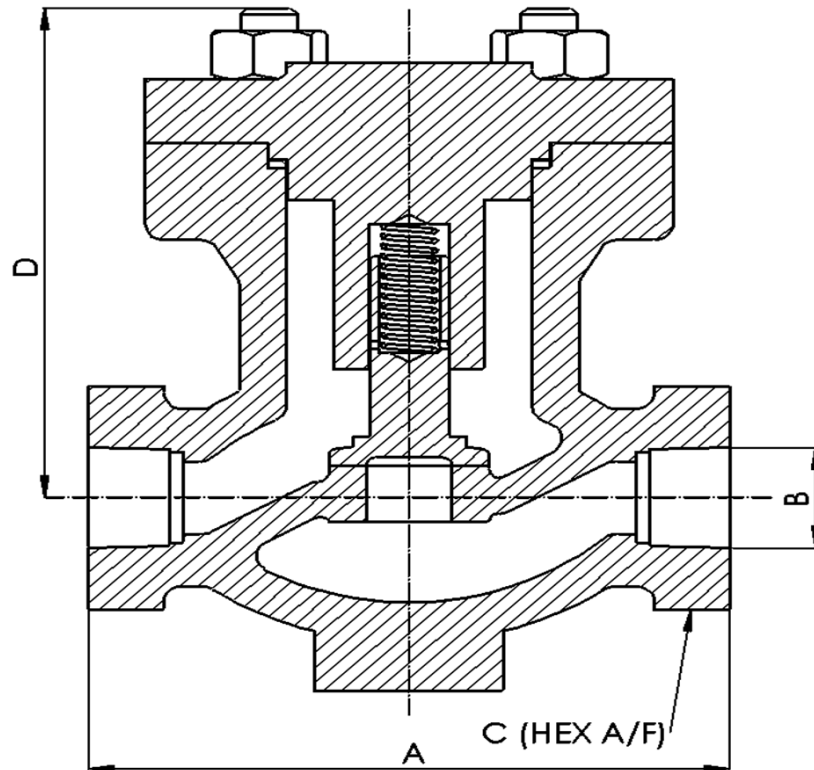
Nickel Aluminium Bronze – ASTM B148
Nickel Aluminium Bronze - DS02 747 Part 3
Gunmetal – DS02 830 Part 1
Bronze – ASTM B61/B62
Brass – HTB1
Titanium – ASTM B367
Hastelloy®
Monel®

Other materials available on request



Specifications

ANSI B16.5 Flange Dimensions
ANSI B1-20.1 Screwed Ends
ANSI B16.10 Face to Face Length
ANSI B16.34 Wall Thickness
PED Conformity
Designed generally in accordance with: BSEN 12288 (formerly BS5154)



Dimensions

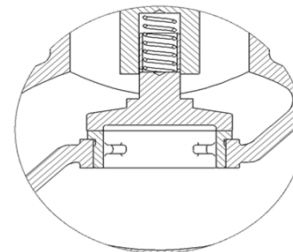
Screwed NPT

VALVE SIZE		mm				WEIGHT
INCH	mm	A	B Thread	C	D	kg
1/2"	15	108	1/2" NPT	38	96	3
3/4"	20	117	3/4" NPT	38	103	4
1"	25	127	1" NPT	48	109	4
1 1/2"	40	165	1 1/2" NPT	64	125	7
2"	50	203	2" NPT	76	122	11

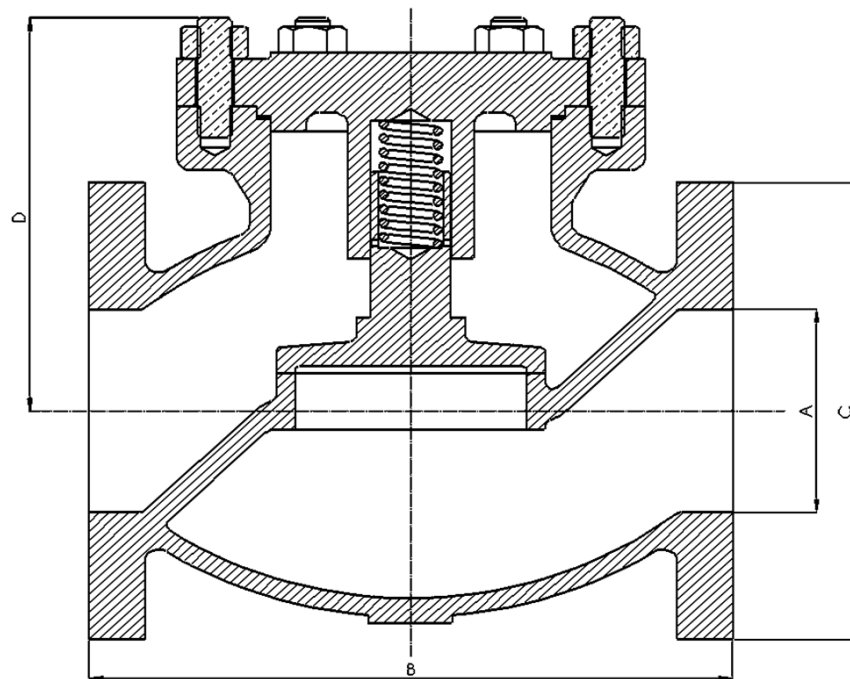
Pressure class: 150# & 300#

PCV74:
shown with integral seats

PCV75:
has renewable seats



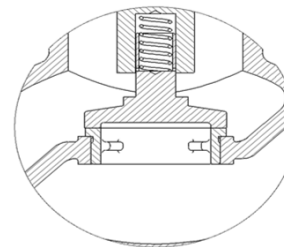
Dimensions



VALVE SIZE		mm				WEIGHT kg
INCH	mm	A	B	C	D	
1/2"	15	14	108	89	96	2
3/4"	20	19	117	98	103	4
1"	25	25	127	108	109	6
1 1/2"	40	38	165	127	125	9
2"	50	51	203	152	122	14
3"	75	76	241	191	133	24
4"	100	102	292	229	197	41
6"	150	152	406	279	255	82
8"	200	203	495	343	268	122
10"	250	254	622	406	316	184

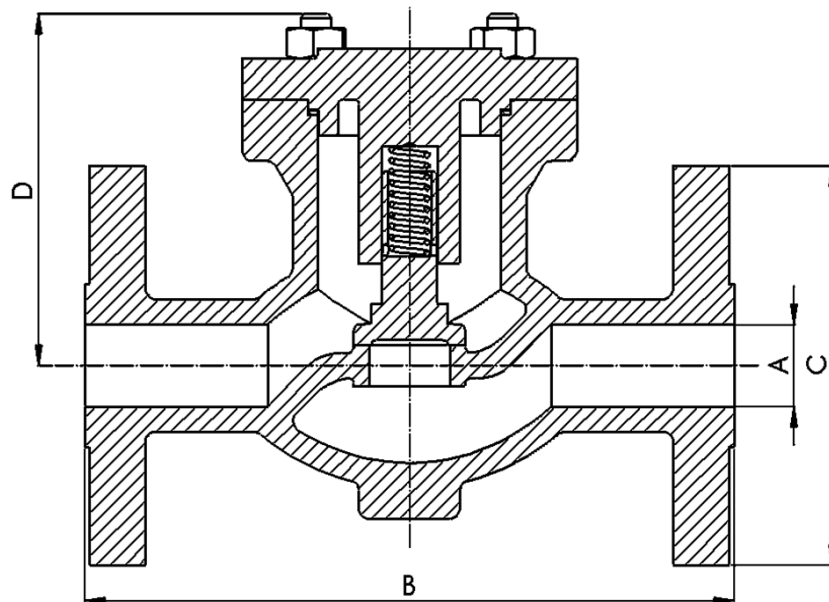
PCV74:
shown with integral seats

PCV75:
has renewable seats



Dimensions

VALVE SIZE		mm				WEIGHT kg
INCH	mm	A	B	C	D	
1/2"	15	14	152	95	96	4
3/4"	20	19	178	177	103	5
1"	25	25	203	124	109	7
1 1/2"	40	38	229	156	125	12
2"	50	51	267	165	122	17
3"	75	76	318	210	151	27
4"	100	97	356	254	197	50
6"	150	152	445	318	255	98
8"	200	203	559	381	268	164
10"	250	254	622	445	316	239



PCV74:
shown with integral seats

PCV75:
has renewable seats

