

Description

The SCV30/31 is a swing check valve, with externally accessible disc shaft and integral cast flanges. Manufactured as standard in NiAlBr giving long service life on seawater applications.
In conformance with the Pressure Equipment Directive 97/23/EC

Standard Range,
SCV30 with integral seat,
Sizes: 1/2" to 1-1/2" & 14" to 24"
Connections: ANSI 150 & 300.

SCV31 with renewable seat,
Sizes: 14" to 24"
Connections: ANSI 150 & 300.



Materials

Regularly manufactured in a full range of materials including:

- Nickel Aluminium Bronze – ASTM B148
- Nickel Aluminium Bronze - DS02 747 Part 3
- Gunmetal – DS02 830 Part 1
- Bronze – ASTM B61/B62
- Brass – HTB1
- Titanium – ASTM B367
- Hastelloy®
- Monel®

Other materials available on request

Features

- Retaining pin through disc nut prevents backing off in service.
- External gland seal for ease of maintenance
- Gland access through both sides of body
- Disc arm with angle provides improved sealing.

Options

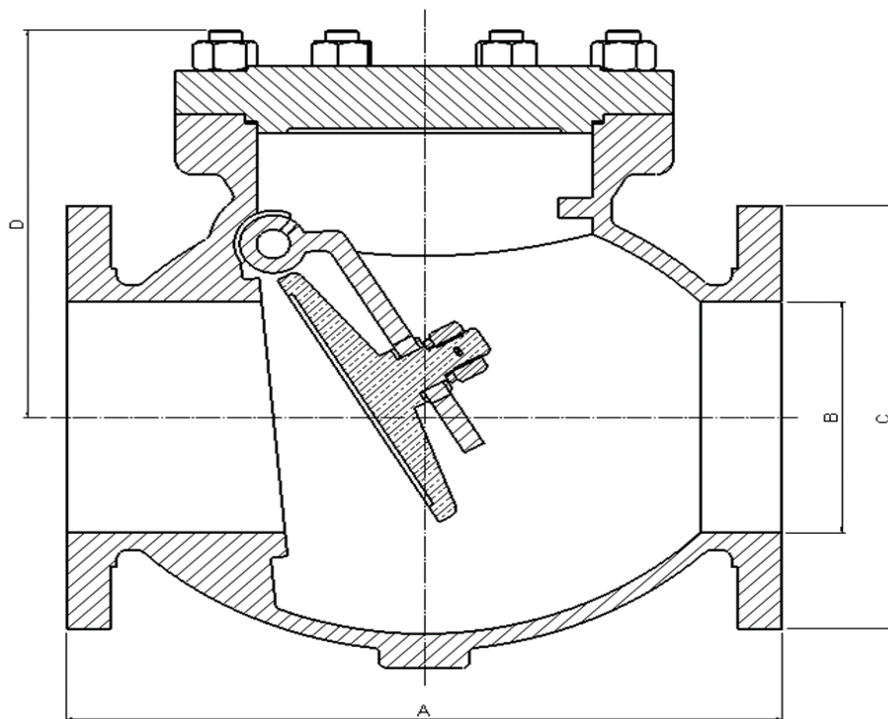
- Integral or Removeable seats
- Spring return
- Drain plug

Specifications

- ANSI B16.5 Flange Dimensions
- ANSI B16.10 Face to Face Length
- ANSI B16.34 Wall Thickness
- PED Conformity
- Designed generally in accordance with: BSEN 12288 Series A (formerly BS5154)

Dimensions

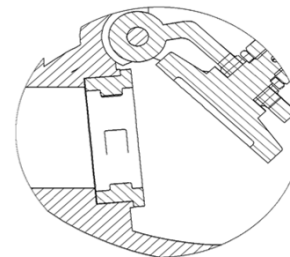
ANSI 150



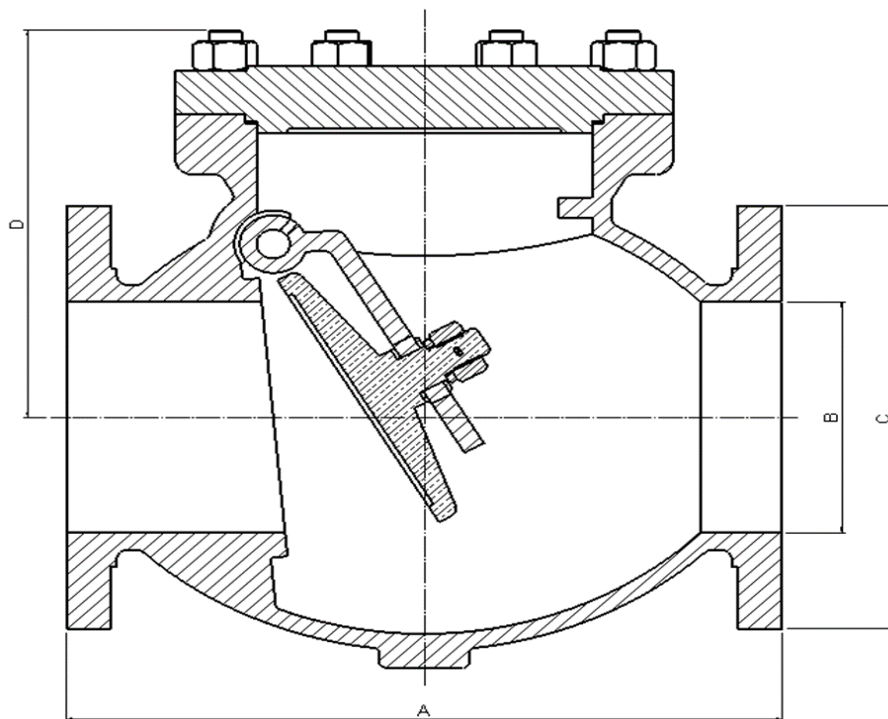
VALVE SIZE		mm				APPROX.W EIGHT kg
INCH	mm	A	B NB Pipe	C	D	
1/2"	15	108	14	89	97	3.6
3/4"	20	118	19	100	103	4.2
1"	25	127	25	108	110	5.3
1 1/2"	40	165	38	127	125	9
14"	350	787	356	533	491	435
16"	400	864	406	597	520	477
18"	450	978	457	635	526	625
20"	500	978	508	699	616	755
24"	600	1295	610	813	759	1202

SCV30:
shown with integral seats

SCV31:
has renewable seats



Dimensions



VALVE SIZE		mm				APPROX.W EIGHT kg
INCH	mm	A	B NB Pipe	C	D	
1/2"	15	140	14	95	96	4.2
3/4"	20	152	19	117	103	5.3
1"	25	165	25	124	105	6.8
1 1/2"	40	191	38	155	125	11.2
14"	350	838	356	584	494	588
16"	400	864	406	648	559	716
18"	450	978	457	711	624	808
20"	500	1016	508	775	690	922
24"	600	1346	610	914	821	1287

SCV30:
shown with integral seats

SCV31:
has renewable seats

