

**Description**

The BAV02 is a 1 Piece end entry, full bore floating ball valve, with integral cast flanges. Manufactured as standard in NiAlBr giving long service life on seawater applications.

In conformance with the Pressure Equipment Directive 97/23/EC.

Standard Range,  
Sizes: 1/2" to 1-1/4"  
Connections: ANSI 150 & 300.



**Materials**

**Regularly manufactured in a full range of materials including:**

- Nickel Aluminium Bronze – ASTM B148
- Nickel Aluminium Bronze - DS02 747 Part 3
- Gunmetal – DS02 830 Part 1
- Bronze – ASTM B61/B62
- Brass – HTB1
- Titanium – ASTM B367
- Hastelloy®
- Monel®

**Other materials available on request**

**Features**

- Anti-static / Anti blowout stem
- Cavity pressure relieving seats
- Pressure equalising ball design
- Firesafe by design
- ISO 5211 mounting platform
- Bi-directional Flow
- Solid Ball

**Options**

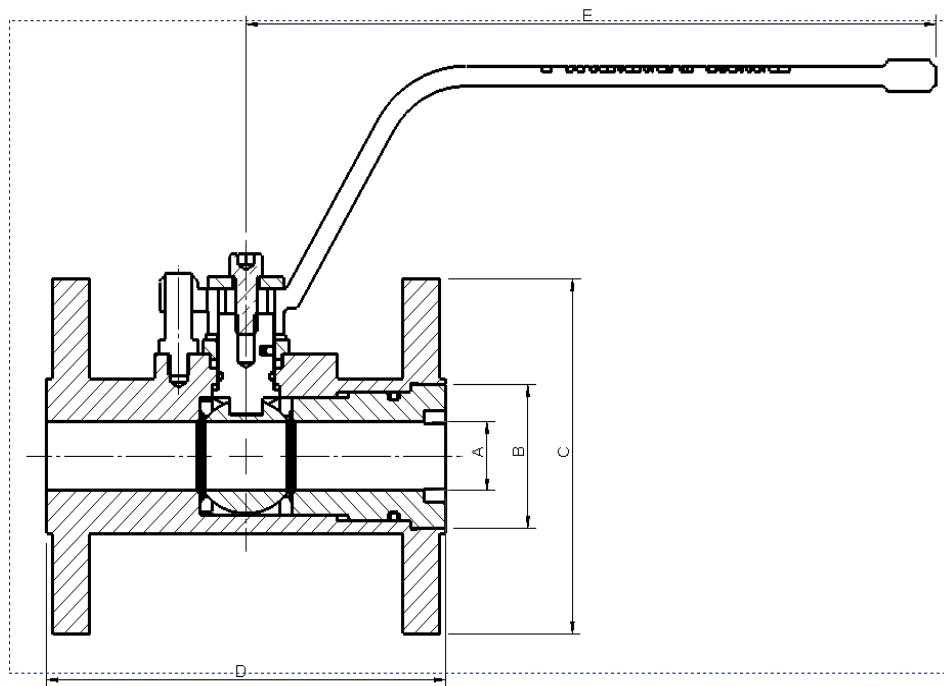
- Bare shaft (for actuation by others)
- Actuation to customer specifications
- Locking facility (open & closed)
- Extended stems (insulation allowance)

**Specifications**

- ANSI B16.5 Flange Dimensions
- ANSI B16.10 Face to Face Length
- ANSI B16.34 Wall Thickness
- PED Conformity
- Designed generally in accordance with: API 6D & ISO 17292 (formerly BS5351)

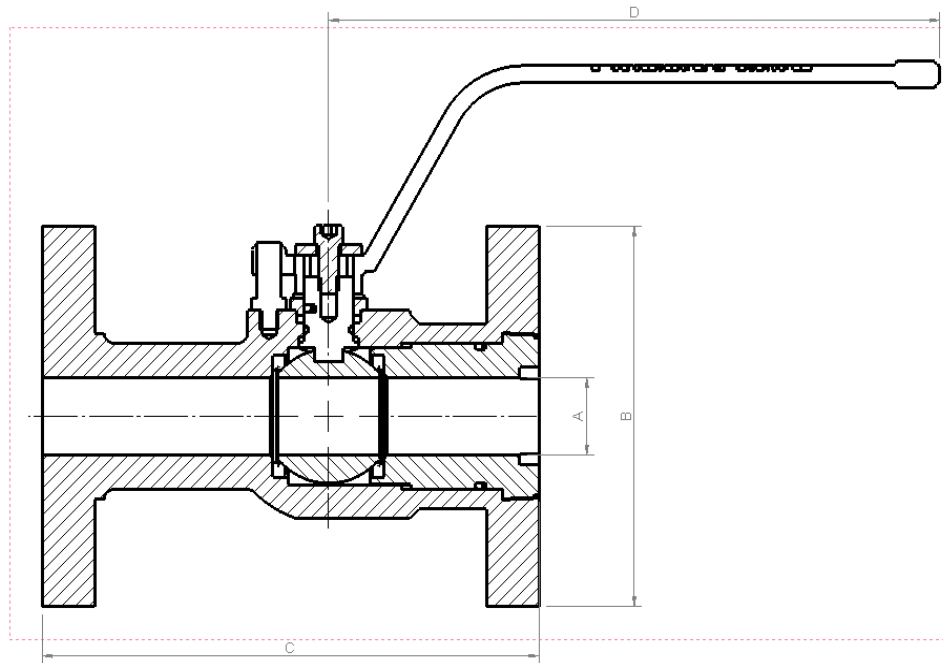
**Dimensions**

**ANSI 150**



VALVE SIZE		mm					WEIGHT kg
INCH	mm	A NB Ball	B	C	D	E	
1/2"	12	12	33	89	108	203	2
3/4"	20	20	40	98	117	203	3
1"	25	25	50	108	127	203	4
1 1/4"	30	30	64	117	140	203	5

**Dimensions**



VALVE SIZE		mm					WEIGHT kg
INCH	mm	A NB Ball	B	C	D	E	
1/2"	12	12	33	89	108	203	2
3/4"	20	20	40	98	117	203	3
1"	25	25	50	108	127	203	4
1 1/4"	30	30	64	117	140	203	5