

Description

The BUV126 is a triple eccentric butterfly valve, with a wafer design body. Manufactured as standard in NiAlBr and metal seat, to give long service life on seawater applications. Suitable for bi-directional flow with bubble tight shutoff.

In conformance with the Pressure Equipment Directive 97/23/EC

Standard Range,
Sizes: 2" to 24"
Connections: ANSI 150



Materials

Regularly manufactured in a full range of materials including:

- Nickel Aluminium Bronze – ASTM B148 C95800
- Nickel Aluminium Bronze - DS02 747 Part 3
- Gunmetal – DS02 830 Part 1
- Bronze – ASTM B61/B62
- Brass – HTB1
- Titanium – ASTM B367
- Hastelloy®
- Monel®

Other materials available on request

Features

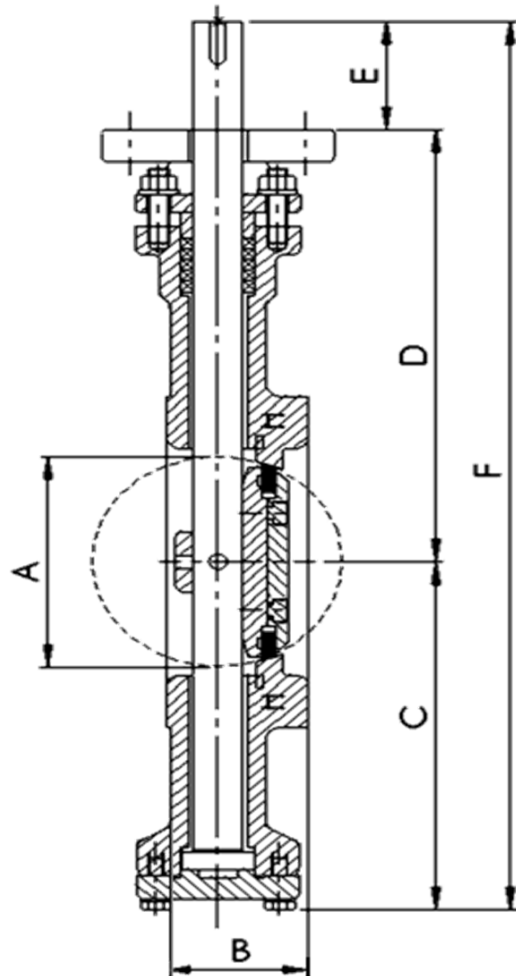
- Triple eccentric action
- Bi-directional flow
- Tight shut-off at full rating
- Long seat life
- High & low temperature capabilities
- Fire-safe design

Options

- Laminated metal or solid metal seats
- Bare shaft
- Lever, gear or actuated operation

Specifications

- ANSI B16.5 Flange Dimensions
- ISO 5752
- API 609
- MSS SP68



Dimensions

ANSI 150

VALVE SIZE		mm						WEIGHT kg
INCH	mm	A NB Pipe	B	C	D	E	F	
2"	50	50	45	118	170	45	333	
2 1/2"	65	65	45	129	177	45	351	
3"	80	80	45	141	185	45	371	
4"	100	100	45	164	200	45	409	
5"	125	125	45	187	217	45	449	
6"	150	150	45	203	240	45	488	
8"	200	200	60	223	270	60	553	
10"	250	250	60	270	320	60	650	
12"	296	296	60	308	353	60	721	
14"	350	350	75	340	390	75	805	
16"	400	400	75	381	445	75	901	
18"	450	450	100	410	490	100	1000	
20"	500	500	100	448	500	100	1048	
22"	550	550	100	484	535	100	1119	
24"	600	600	100	509	570	100	1179	