

Description

The BUV131 is a double eccentric butterfly valve, with a semi-lugged wafer design body. Manufactured as standard in NiAlBr and Teflon seat, to give long service life on seawater applications. Suitable for bi-directional flow with bubble tight shutoff.

In conformance with the Pressure Equipment Directive 97/23/EC

Standard Range,
Sizes: 2" to 40"
Connections: ANSI 150 & 300



Materials

Regularly manufactured in a full range of materials including:

- Nickel Aluminium Bronze – ASTM B148
- Nickel Aluminium Bronze - DS02 747 Part 3
- Gunmetal – DS02 830 Part 1
- Bronze – ASTM B61/B62
- Brass – HTB1
- Titanium – ASTM B367
- Hastelloy®
- Monel®

Other materials available on request

Features

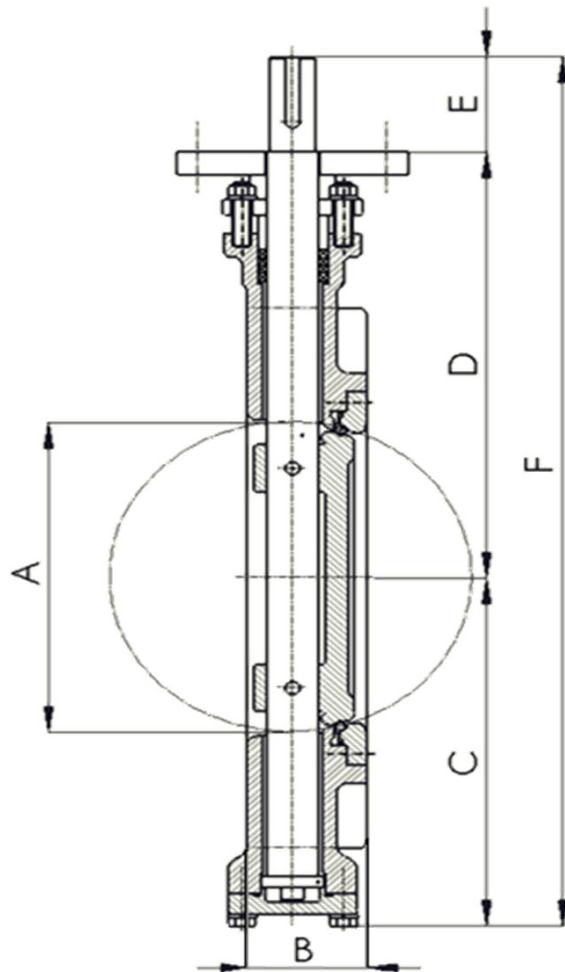
- Double eccentric action
- Bi-directional flow
- Tight shut-off at full rating
- Reduced seat wear
- Internal disc stop to prevent over travel

Options

- Rubber, PTFE, RTFE or Metal seats
- Fire-Safe seat option
- Bare shaft
- Lever, gear or actuated operation

Specifications

- ANSI B16.5 Flange Dimensions
- ISO 5752
- API 609
- MSS SP68



Dimensions

ANSI 150-300

VALVE SIZE		mm						WEIGHT kg
INCH	mm	A NB Pipe	B	C	D	E	F	
2"	50	50	43	118	168	45	331	5
2 1/2"	65	65	46	133	177	45	355	6.5
3"	80	80	48	144	185	45	374	10.5
4"	100	100	54	164	200	45	409	15
5"	125	125	57	188	217	45	450	18
6"	150	150	57	205	240	45	490	25
8"	200	200	64	223	270	60	553	36
10"	250	250	71	275	320	60	655	56
12"	296	296	81	308	350	60	718	68
14"	350	350	92	346	395	75	816	93
16"	400	400	102	385	445	75	905	121
18"	450	450	114	410	490	100	1000	144
20"	500	500	127	448	500	100	1048	160
22"	550	550	154	488	535	100	1123	228
24"	600	600	154	515	565	100	1180	284
26"	650	650	165	551	620	100	1271	327
28"	700	700	165	596	650	100	1346	388
30"	750	750	190	620	695	150	1465	462
32"	800	800	190	645	740	150	1535	607
36"	900	900	203	710	805	150	1665	860
40"	1000	1000	216	770	870	150	1790	1180