

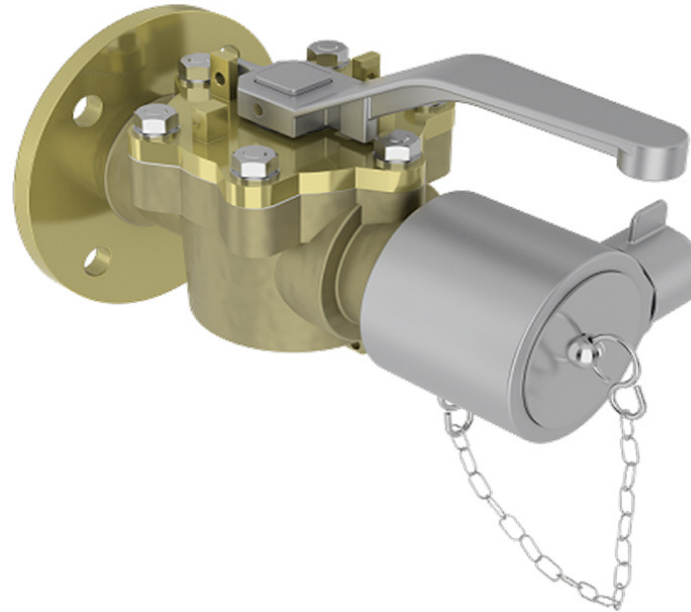
Description

The PLV102 is a full bore straight through hydrant plug valve. This hydrant valve has particularly good shock resistance, and is therefore ideal for fire systems in critical locations. Manufactured as standard in Bronze to give long service life on seawater applications.

In conformance with the Pressure Equipment Directive 97/23/EC

Standard Range,
Sizes: 1-1/2" to 2-1/2"
Connections: PN16

Working pressure: 10 Bar
Max. Working temperature: 104degC



Materials

Regularly manufactured in a full range of materials including:

- Nickel Aluminium Bronze – ASTM B148
- Nickel Aluminium Bronze - DS02 747 Part 3
- Gunmetal – DS02 830 Part 1
- Bronze – ASTM B61/B62
- Brass – HTB1
- Titanium – ASTM B367
- Hastelloy®
- Monel®

Other materials available on request

Features

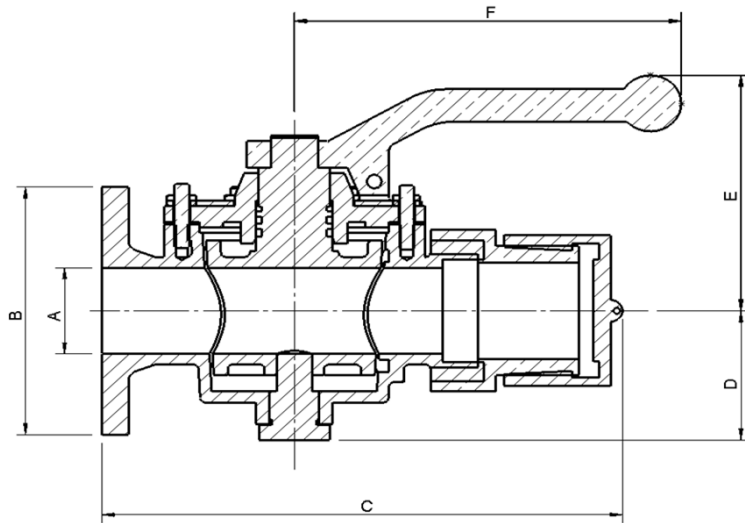
- Coated taper plug for smooth operation
- Renewable seats
- Resilient seated
- Quarter turn operation
- Top entry allows in-line maintenance

Options

- Male or female IHC connection

Specifications

Designed specifically for Naval Applications.



Dimensions

PN16

VALVE SIZE		mm						WEIGHT kg	Drg IHC Female	Drg IHC Male
INCH	mm	A	B	C	D	E	F			
1 1/2"	40	50	130	280	76	138	206	12.7	1264	1414
2"	50	50	146	280	76	138	206	13.6	1262	1416
2 1/2"	65	65	159	280	76	138	206	14.5	1256	1418