

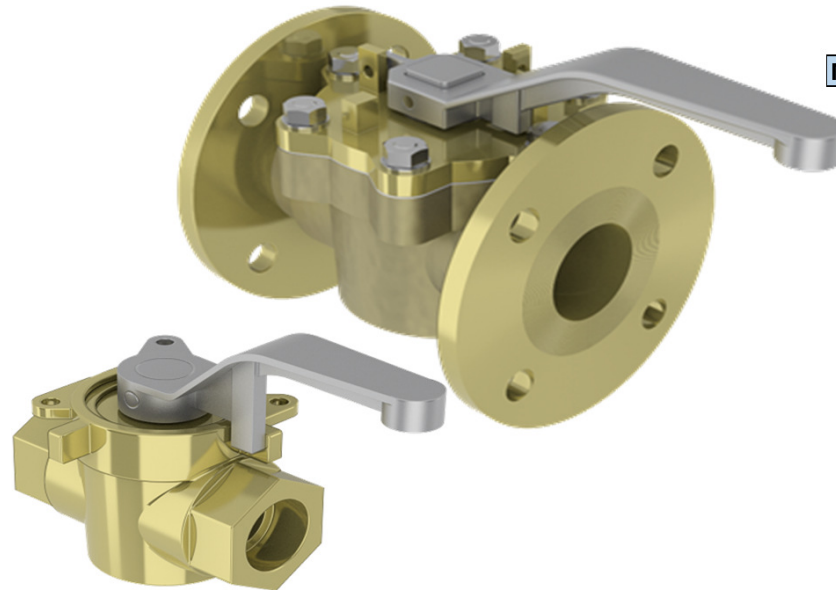
Description

The PLV101 is a full bore plug valve.
Manufactured as standard in Bronze to give long service life on seawater applications.

In conformance with the Pressure Equipment Directive 97/23/EC

Standard Range,
Sizes: 1/4" to 6"
Connections: Screwed & PN16

Working pressure: 10 Bar
Max. Working temperature: 104 degC



Materials

Regularly manufactured in a full range of materials including:

- Nickel Aluminium Bronze – ASTM B148
- Nickel Aluminium Bronze - DS02 747 Part 3
- Gunmetal – DS02 830 Part 1
- Bronze – ASTM B61/B62
- Brass – HTB1
- Titanium – ASTM B367
- Hastelloy®
- Monel®

Other materials available on request

Features

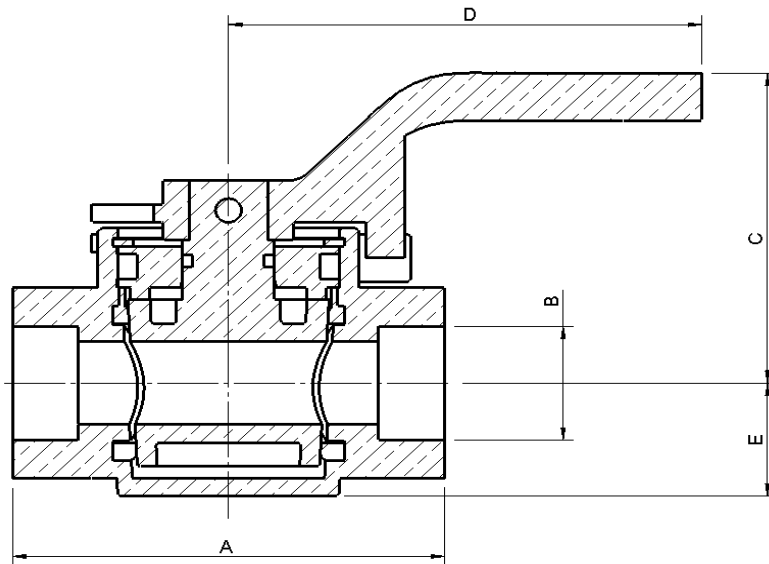
- Coated taper plug for smooth operation
- Renewable seats
- Resilient seated
- Top entry allows in-line maintenance

Options

Locking facility (Open & Closed)

Specifications

Designed specifically for Naval Applications.



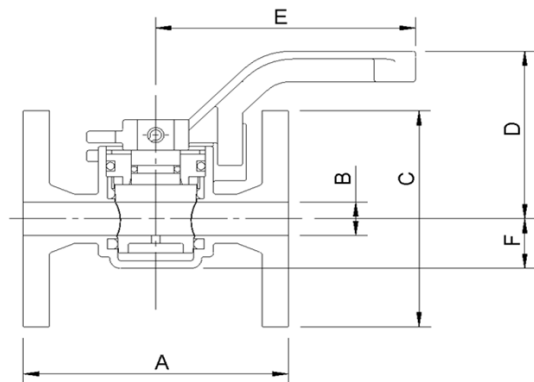
Dimensions

Screwed

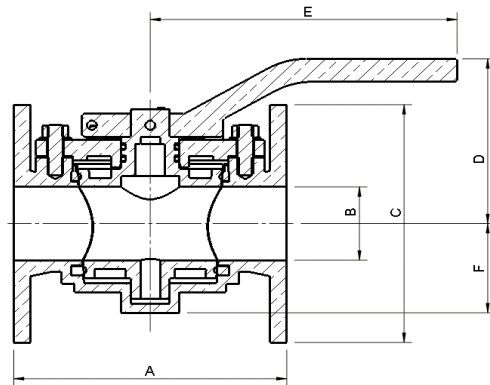
VALVE SIZE		mm					WEIGHT	Drg
INCH	mm	A	B _{NB}	D	E	F	kg	
1/4"	6	60	6.4	31	60	18	0.5	1545
3/8"	10	75	10.4	69	100	21	1	1539
1/2"	15	75	14	69	100	21	1	1529
3/4"	20	95	18	74	110	26	1.5	1531
1"	25	105	22	85	115	30	2.4	1533
1 1/4"	32	114	27	88	125	34	3.4	1535
1 1/2"	40	150	35	97	140	38	4.5	1537

Screwed rating 10 Bar

Dimensions



Upto 1.1/4" (32mm)



1.1/2" (40mm) & above

VALVE SIZE		mm						WEIGHT	Drg
INCH	mm	A	B _{NB}	C	D	E	F	kg	
3/8"	10	102	14	90	69	100	21	2.17	1567
1/2"	15	108	18	95	74	110	26	2.73	1569
3/4"	20	117	22	105	85	115	30	3.76	1571
1"	25	127	27	115	88	125	34	5.3	1573
1 1/4"	32	140	35	140	97	140	38	7.3	1575
1 1/2"	40	165	41.5	150	105	165	42	8.5	1562
2"	50	178	54	165	115	200	61	14	1580
2 1/2"	65	222	72	185	120	220	77	22.2	1559
3"	80	241	84	200	132	240	90	28.5	1582
4"	100	305	103	220	147	300	99	42.3	1585
5"	125	400	128	250	175	400	133	80	1591
6"	150	480	154	285	195	480	160	114	1595