

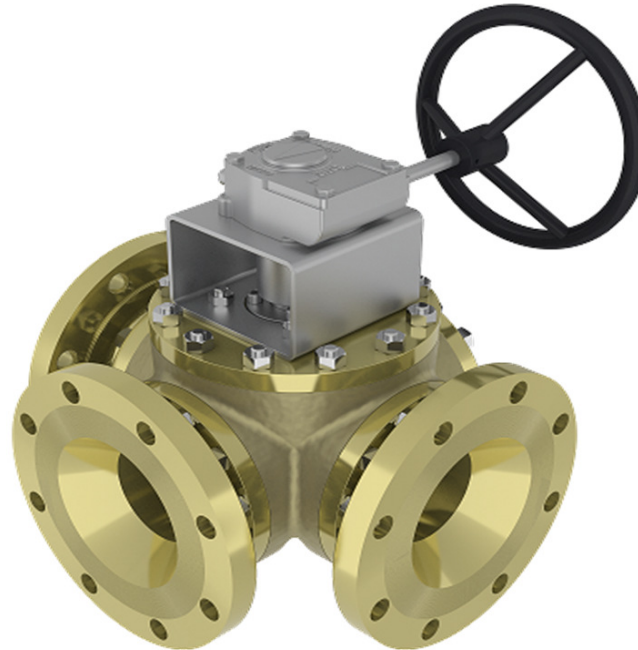
**Series: BAV09**  
**Multiport Floating Ball Valve**

**Description**

The BAV09 is a flanged modular multiport diverter floating ball valve, with 2, 3 or 4 ports. Available in "L" or "T" reduced port configurations. Suitable for mixer applications. Manufactured as standard in NiAlBr giving long service life on seawater applications.

In conformance with the Pressure Equipment Directive 97/23/EC.

Standard Range,  
Sizes: 1-1/2" to 8"  
Connections: ANSI 150 & 300.



**Materials**

**Regularly manufactured in a full range of materials including:**

Nickel Aluminium Bronze – ASTM B148 C95800  
Nickel Aluminium Bronze - DS02 747 Part 3  
Gunmetal – DS02 830 Part 1  
Bronze – ASTM B61/B62  
Brass – HTB1  
Titanium – ASTM B367  
Hastelloy®  
Monel®

**Other materials available on request**

**Features**

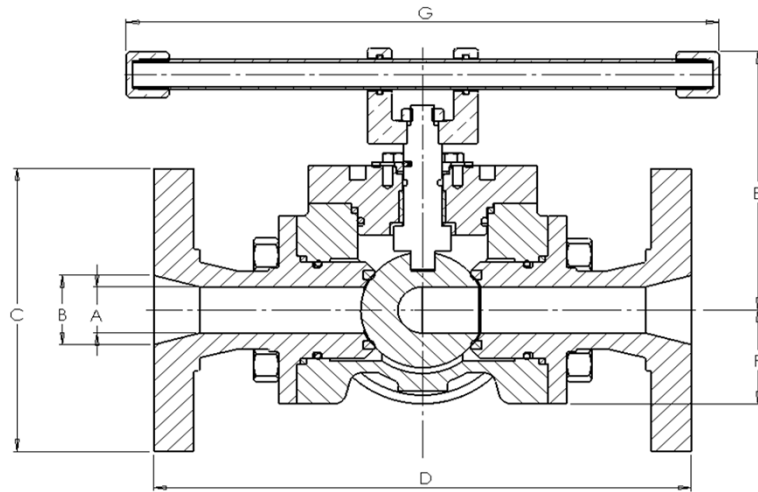
Anti-static / Anti blowout stem  
ISO 5211 mounting platform  
Bi-directional Flow  
Solid Ball

**Options**

Bare shaft (for actuation by others)  
Actuation to customer specifications  
Locking facility (open & closed)  
Extended stems (insulation allowance)

**Specifications**

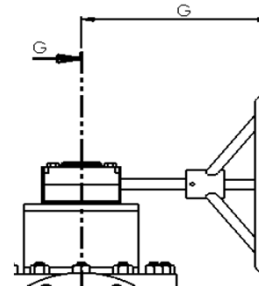
- ANSI B16.5 Flange Dimensions
- ANSI B16.10 Face to Face Length
- ANSI B16.34 Wall Thickness
- PED Conformity
- Designed generally in accordance with: API 6D & ISO 17292 (formerly BS5351)



**Dimensions**

VALVE SIZE		Inch							WEIGHT
INCH	mm	A	B	C	D	E	F	G	kg
1 1/2"	40	25	38	156	270	142	52	305	23
2"	50	38	51	152	273	311	160	58	30
2 1/2"	65	51	64	191	300	183	67	305	44
3"	80	51	76	191	303	183	67	305	44
4"	100	76	102	229	348	80	202	457	66
6"	150	102	152	279	413	100	391	247*	121.5
8"	200	152	203	343	548	143	659	305*	264
10"	250	203	254	406	721	227	181	346*	582

\*MEASURED FROM CENTRE LINE TO OUTSIDE FACE OF GEARBOX HANDWHEEL AS SHOWN BELOW



**Dimensions**

VALVE SIZE		mm							WEIGHT
INCH	mm	A	B	C	D	E	F	G	kg
1 1/2"	40	25.4	38	156	276	142	52	305	24
2"	50	38	51	152	279	157	58	311	30.5
2 1/2"	65	51	64	191	306	183	67	305	45
3"	80	51	76	210	313	183	67	305	50
4"	100	76	100	254	364	80	202	457	77
6"	150	102	141	318	435	391	99	247*	151
8"	200	152	203	381	573	659	143	305*	303
10"	250	203	254	445	768	727	181	346*	652

\*MEASURED FROM CENTRE LINE TO OUTSIDE FACE OF GEARBOX HANDWHEEL AS SHOWN BELOW

