

Description

The PLV103 is a 3-way full bore diverter plug valve. Available in "L" or "T" port configurations. Manufactured as standard in Bronze to give long service life on seawater applications.

In conformance with the Pressure Equipment Directive 97/23/EC

Standard Range,

Sizes: 1/4" to 4"
Connections: Screwed & PN16

Working pressure: 10 Bar (Class PN10)
Max. Working temperature: 104 degC

Features

Coated taper plug for smooth operation
Renewable seats
Resilient seated
Top entry allows in-line maintenance

Options

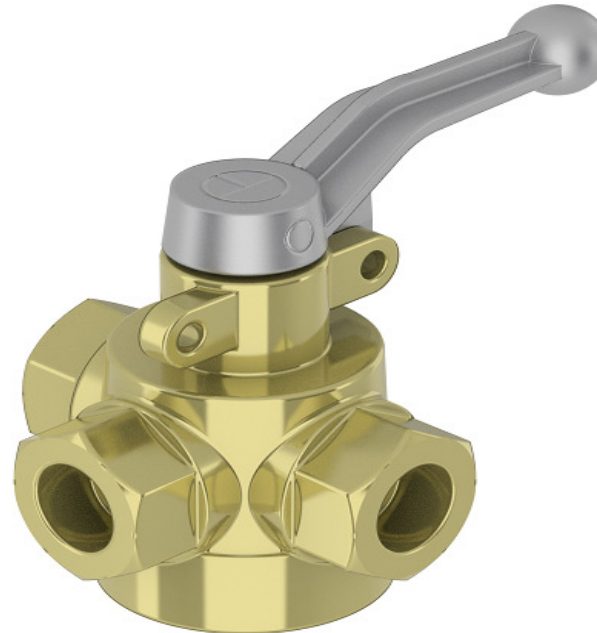
"L" or "T" port configurations
Locking facility (in all 3 positions)

Materials

Regularly manufactured in a full range of materials including:

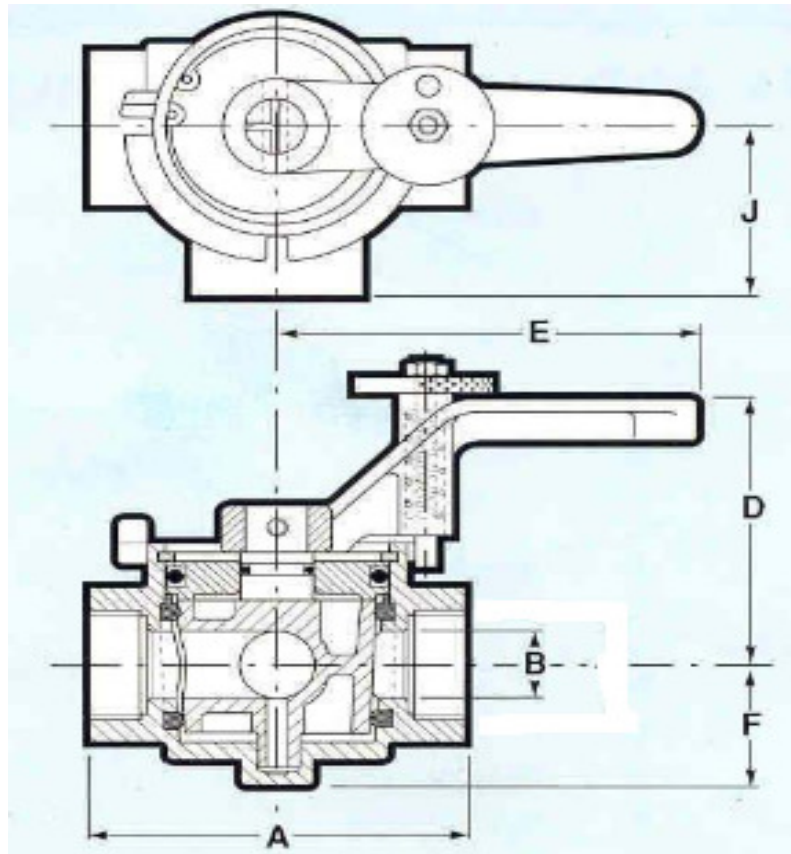
Nickel Aluminium Bronze – ASTM B148
Nickel Aluminium Bronze - DS02 747 Part 3
Gunmetal – DS02 830 Part 1
Bronze – ASTM B61/B62
Brass – HTB1
Titanium – ASTM B367
Hastelloy®
Monel®

Other materials available on request



Specifications

Designed specifically for Naval Applications.

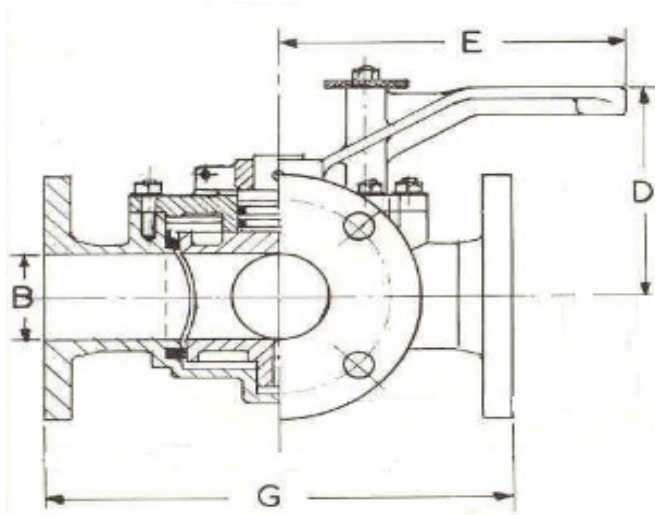
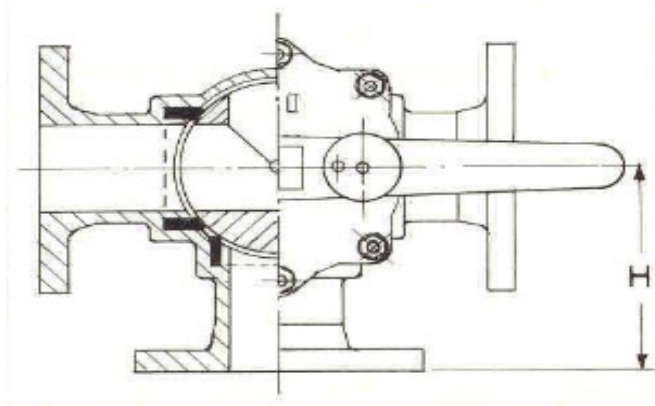


Dimensions

Screwed

VALVE SIZE		mm						WEIGHT kg	Drg T-Port	Drg L-Port
INCH	mm	A	B NB	D	E	F	J			
1/4"	6	70	6.4	56	90	18	35	0.7	1324	1326
3/8"	10	80	10.4	63	100	29	40	1	1329	1343
1/2"	15	80	14	63	100	29	40	1	1322	1344
3/4"	20	102	18	80	115	38	51	1.6	1336	1345
1"	25	116	22	102	125	40	58	2.3	1327	1331
1 1/4"	32	130	27	107	150	46	65	3	1338	1342
1 1/2"	40	150	35	120	175	53	75	7	1340	1346

Working pressure: 10 Bar
Max. Working temperature: 104 degC



Dimensions

PN16

VALVE SIZE		mm					WEIGHT kg	Drg T-Port	Drg L-Port
INCH	mm	B NB	D	E	G	H			
1"	25	25.4	86	114.3	165	82.5	5	1366	1368
1 1/4"	32	32	105	127	203	102	10	1443	1446
1 1/2"	40	38	113	152	222	111	13	1369	1371
2"	50	51	127	154	241	121	16	1347	1349
2 1/2"	65	63.5	133	229	267	133	35	1372	1374
3"	80	76	178	305	305	152	50	1351	1353
4"	100	102	191	381	356	178	63	1289	1350

Working pressure: 10 Bar
Max. Working temperature: 104 degC