

**Double Flanged Triple Eccentric High Performance Butterfly Valve**

**Description**

The BUV128 is a triple eccentric butterfly valve, with a double flanged body. Manufactured as standard in NiAlBr and a metal seat, to give long service life on seawater applications. Suitable for bi-directional flow with bubble tight shutoff.

In conformance with the Pressure Equipment Directive 97/23/EC

Standard Range,  
Sizes: 2" to 120"  
Connections: ANSI 150 & 300



**Materials**

**Regularly manufactured in a full range of materials including:**

- Nickel Aluminium Bronze – ASTM B148
- Nickel Aluminium Bronze - DS02 747 Part 3
- Gunmetal – DS02 830 Part 1
- Bronze – ASTM B61/B62
- Brass – HTB1
- Titanium – ASTM B367
- Hastelloy®
- Monel®

**Other materials available on request**

**Features**

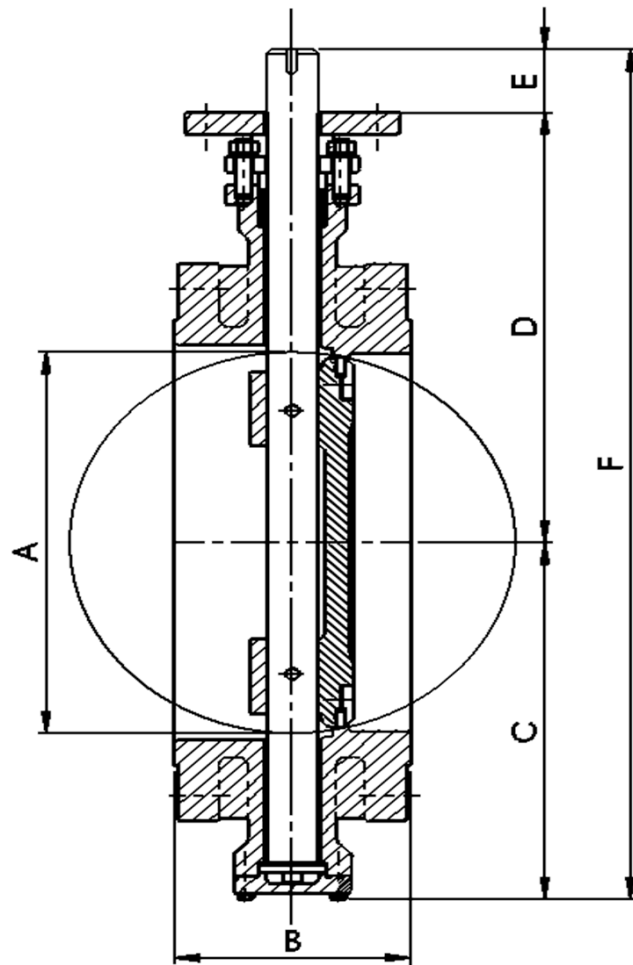
- Triple eccentric action
- Bi-directional flow
- Tight shut-off at full rating
- Long seat life
- High & low temperature capabilities
- Fire-safe design

**Options**

- Laminated metal or solid metal seats
- Bare shaft
- Lever, gear or actuated operation

**Specifications**

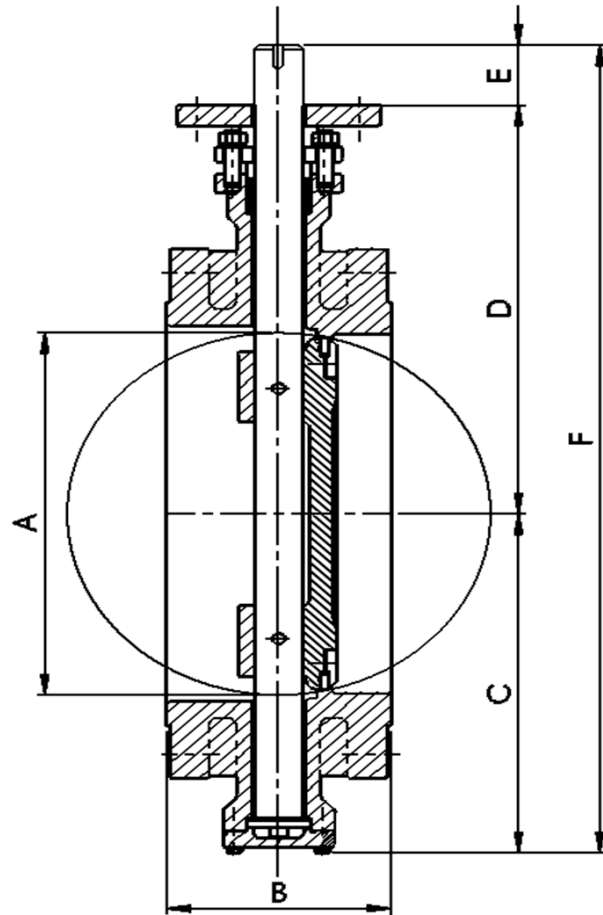
- ANSI B16.5 Flange Dimensions
- ISO 5752
- API 609
- MSS SP68



**Dimensions**

**ANSI 150**

VALVE SIZE		mm						WEIGHT kg
INCH	mm	A NB Pipe	B	C	D	E	F	
2"	50	50	108	118	170	45	333	
2 1/2"	65	65	112	129	177	45	351	
3"	80	80	114	141	185	45	371	
4"	100	100	127	164	200	45	409	
5"	125	125	140	187	217	45	449	
6"	150	150	140	203	240	45	488	
8"	200	200	152	223	270	60	553	
10"	250	250	165	270	320	60	650	
12"	296	296	178	308	353	60	721	
14"	350	350	190	340	390	75	805	
16"	400	400	216	381	445	75	901	
18"	450	450	222	410	490	100	1000	
20"	500	500	229	444	500	100	1048	
24"	600	600	267	509	570	100	1179	
26"	650	650	292	545	635	100	1280	
28"	700	700	292	568	670	100	1338	
30"	750	750	318	620	695	150	1465	
32"	800	800	318	645	740	150	1535	
36"	900	900	330	710	805	150	1665	
40"	1000	1000	410	770	870	150	1790	
44"	1100	1100	470	835	930	180	1945	
48"	1200	1200	470	895	995	180	2070	
54"	1350	1350	470	1050	1200	230	2480	
60"	1500	1500	530	1100	1310	230	2640	
72"	1800	1800	670	1230	1510	230	2970	
80"	2000	2000	760	1290	1600	230	3120	
96"	2400	2400	760	1622	1950	260	3832	
120"	3000	3000	760	2005	2225	260	4490	



**Dimensions**

**ANSI 300**

VALVE SIZE		mm						WEIGHT kg
INCH	mm	A NB Pipe	B	C	D	E	F	
2"	50	50	193	121	171	45	337	
2 1/2"	65	65	177	137	180	45	362	
3"	80	80	180	151	191	45	387	
4"	100	100	190	176	215	45	436	
5"	125	125	210	194	225	45	464	
6"	150	150	210	223	252	45	520	
8"	200	200	230	250	305	60	615	
10"	250	250	250	290	340	60	690	
12"	296	296	270	317	385	60	762	
14"	350	350	290	365	400	75	840	
16"	400	400	310	396	481	75	952	
18"	450	450	330	435	516	100	1051	
20"	500	500	350	473	576	100	1149	
22"	550	550	390	465	575	100	1140	
24"	600	600	390	546	642	100	1288	
26"	650	650	410	579	670	100	1349	
28"	700	700	430	606	708	100	1414	
30"	750	750	450	661	736	150	1547	
32"	800	800	470	683	778	150	1611	
36"	900	900	510	751	846	150	1747	
40"	1000	1000	550	770	870	150	1790	
48"	1200	1200	630	924	1024	180	2128	
52"	1300	1300	650	939	1199	230	2368	
54"	1350	1350	670	940	1200	230	2370	
56"	1400	1400	680	970	1250	230	2450	
60"	1500	1500	700	1081	1342	230	2653	
80"	2000	2000	1250	1430	1600	260	3290	
96"	2400	2400	1250	1622	1950	260	3832	
120"	3000	3000	1250	2005	2225	260	4490	