

**Description**

The GLV40/41 is a globe valve, with a bolted bonnet, rising stem, non-rising handwheel and integral cast flanges. Manufactured as standard in NiAlBr giving long service life on seawater applications.  
In conformance with the Pressure Equipment Directive 97/23/EC.

Standard Range,  
GLV40 with integral seat,  
Sizes: 6" to 16"  
Connections: ANSI 150 & 300.

GLV41 with renewable seat,  
Sizes: 6" to 16"  
Connections: ANSI 150 & 300.



**Materials**

**Regularly manufactured in a full range of materials including:**

- Nickel Aluminium Bronze – ASTM B148
- Nickel Aluminium Bronze - DS02 747 Part 3
- Gunmetal – DS02 830 Part 1
- Bronze – ASTM B61/B62
- Brass – HTB1
- Titanium – ASTM B367
- Hastelloy®
- Monel®

**Other materials available on request**

**Features**

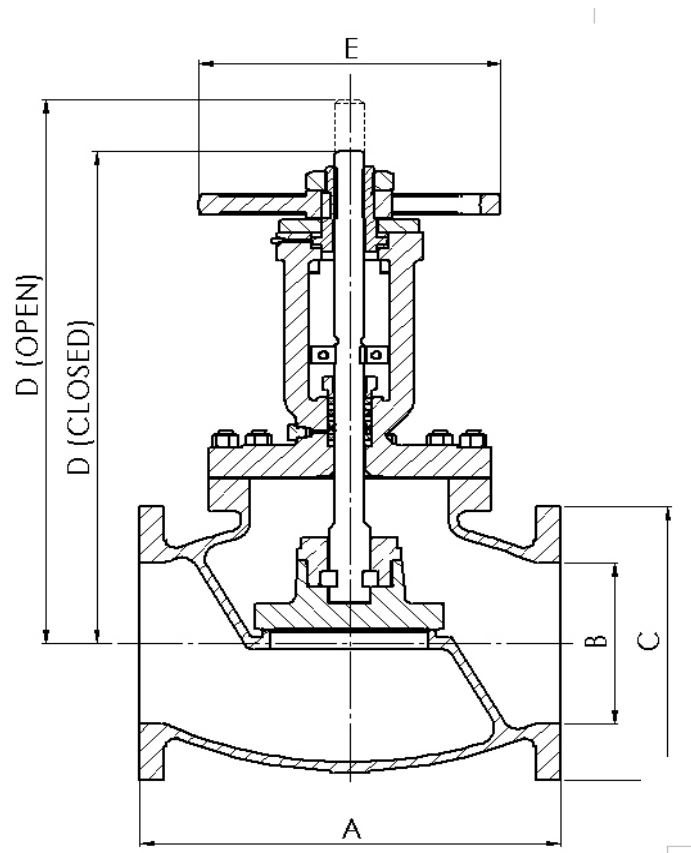
- Bolted Bonnet
- Outside screw & yoke
- Rising stem / non-rising handwheel
- Swivel disc
- Multiple ring stem packing
- Back seat facility

**Options**

- Integral or renewable seats
- Screw down non-return
- Contoured plug
- Needle plug
- Stem lubrication facility
- Locking facility
- Test port
- Gearbox option on 8" and above

**Specifications**

- ANSI B16.5 Flange Dimensions
- ANSI B16.10 Face to Face Length
- ANSI B16.34 Wall Thickness
- PED Conformity



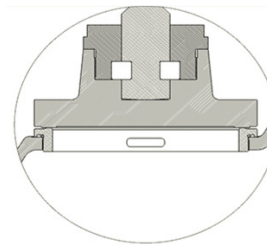
**Dimensions**

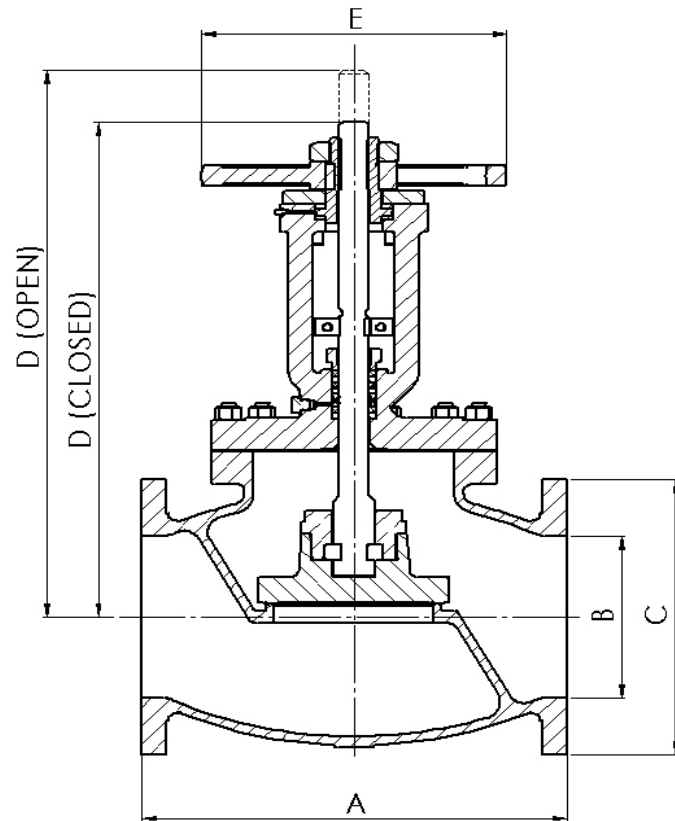
**ANSI 150**

VALVE SIZE		mm						WEIGHT kg
INCH	mm	A	B NB Pipe	C	D		E	
					CLOSED	OPEN		
8"	200	495	203	343	619	684	355	157
10"	250	622	254	406	760	852	457	252
12"	300	699	305	483	777	880	610	338
14"	350	787	356	533	909	1034	G/BOX	525
16"	400	914	406	597	1238	1390	G/BOX	752

**GLV40:**  
shown with integral seats

**GLV41:**  
has renewable seats





**Dimensions**

**ANSI 300**

VALVE SIZE		mm						WEIGHT kg
INCH	mm	A	B NB Pipe	C	D		E	
					CLOSED	OPEN		
6"	150	445	152	318	673	729	308	168
8"	200	533	203	381	619	684	G/BOX	183
10"	250	622	254	445	760	852	G/BOX	293
12"	300	711	305	521	777	866	G/BOX	393
14"	350	838	356	584	909	1034	G/BOX	610
16"	400	864	406	648	1238	1390	G/BOX	874

**GLV40:**  
shown with integral seats

**GLV41:**  
has renewable seats

