

Description

The GAV26/27 is a wedge gate valve, with a bolted bonnet, rising stem, non-rising handwheel, solid wedge and integral cast flanges. Manufactured as standard in NiAlBr giving long service life on seawater applications.
In conformance with the Pressure Equipment Directive 97/23/EC.

Standard Range,
GAV26 with integral seats,
Sizes: 6" to 24"
Connections: ANSI 150 & 300.

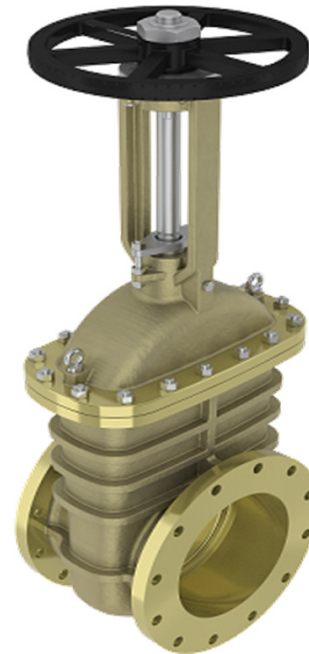
GAV27 with renewable seats,
Sizes: 6" to 24"
Connections: ANSI 150 & 300.

Features

- Bolted Bonnet
- Outside screw & yoke
- Rising stem / non-rising handwheel
- Solid wedge
- Multiple ring stem packing
- Back seat facility

Options

- Integral or renewable seats
- Stem lubrication facility
- Locking facility
- Test port
- Drain port
- Flexible wedge
- Gearbox option on 8" to 12"



Materials

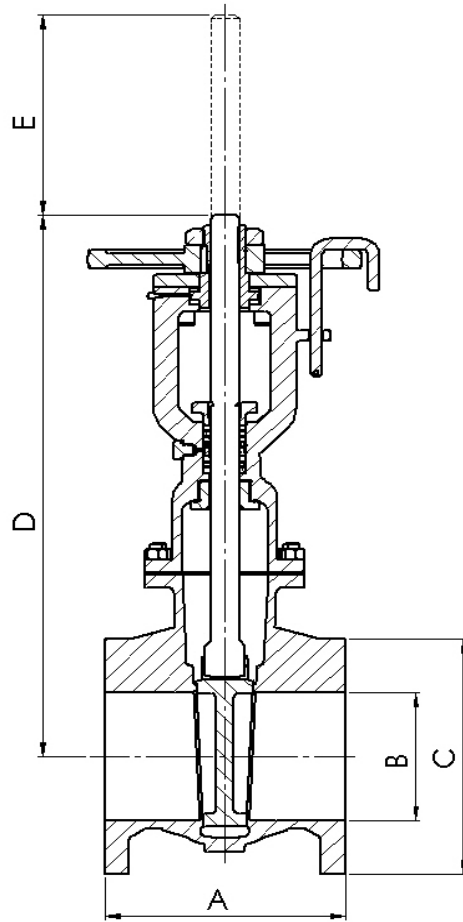
Regularly manufactured in a full range of materials including:

- Nickel Aluminium Bronze – ASTM B148
- Nickel Aluminium Bronze - DS02 747 Part 3
- Gunmetal – DS02 830 Part 1
- Bronze – ASTM B61/B62
- Brass – HTB1
- Titanium – ASTM B367
- Hastelloy®
- Monel®

Other materials available on request

Specifications

- ANSI B16.5 Flange Dimensions
- ANSI B16.10 Face to Face Length
- ANSI B16.34 Wall Thickness
- PED Conformity
- Designed generally in accordance with: BSEN 12288 Series A (formerly BS5154)



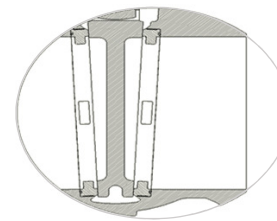
Dimensions

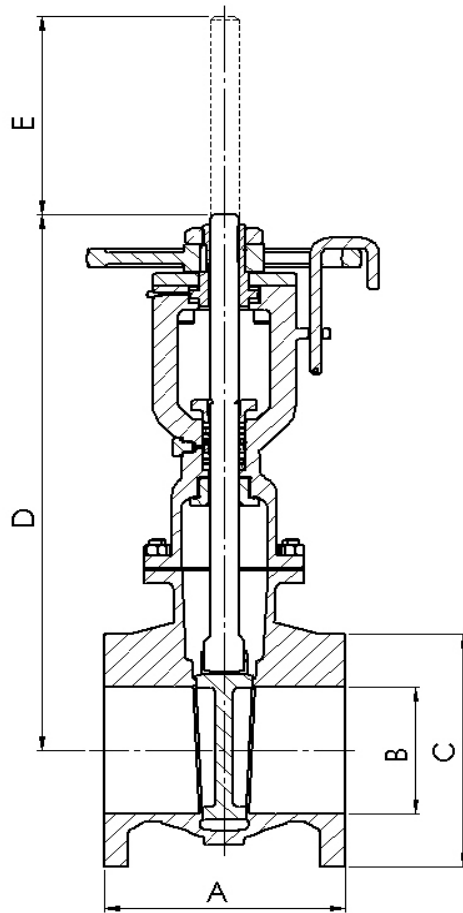
ANSI 150

VALVE SIZE		mm						HANDWHEEL	WEIGHT kg
INCH	mm	A	B NB Pipe	C	D		E		
					CLOSED	OPEN			
6"	150	267	152	279	605	765	160	300	75
8"	200	292	203	343	762	975	213	350	131
10"	250	330	254	406	940	1209	269	350	197
12"	300	356	305	483	1133	1470	337	450	340
14"	350	381	337	533	1346	1713	367	400 & GBOX	489
16"	400	406	387	597	1437	1850	413	600 & GBOX	636
18"	450	432	438	635	1576	2040	464	600 & GBOX	807
20"	500	457	489	699	1719	2237	518	600 & GBOX	1030
24"	600	508	591	813	2050	2673	622	1000 & GBOX	1621

GAV26:
shown with integral seats

GAV27:
has renewable seats





Dimensions

ANSI 300

VALVE SIZE		mm						HANDWHEEL	WEIGHT kg
INCH	mm	A	B NB Pipe	C	D		E		
					CLOSED	OPEN			
6"	150	403	152	317	601	761	202	305	100
8"	200	419	203	381	762	975	241	350	164
10"	250	457	254	444	940	1209	298	350	246
12"	300	502	305	521	1133	1470	329	450	425
14"	350	762	337	533	1346	1713	365	400 & GBOX	611
16"	400	838	387	648	1437	1850	413	600 & GBOX	795
18"	450	914	438	711	1576	2040	465	600 & GBOX	1009
20"	500	991	489	775	1719	2237	530	600 & GBOX	1287
24"	600	1143	591	914	2050	2673	625	600 & GBOX	2026

GAV26:
shown with integral seats

GAV27:
has renewable seats

