

Rev-02

Description

The BAV15 is a 3 Piece barstock, full bore floating ball valve, made from bar stock. Manufactured as standard in NiAlBr giving long service life on seawater applications.

In conformance with the Pressure Equipment Directive 97/23/EC.

Standard Range,
Sizes: 3/8" to 2"
Connections: Screwed

Pressure Class 900#
Max Working pressure:
2000 psi with suitable seat material.

Features

Anti-static / Anti blowout stem
Cavity pressure relieving seats
Pressure equalising ball design
Bi-directional Flow
Solid Ball

Options

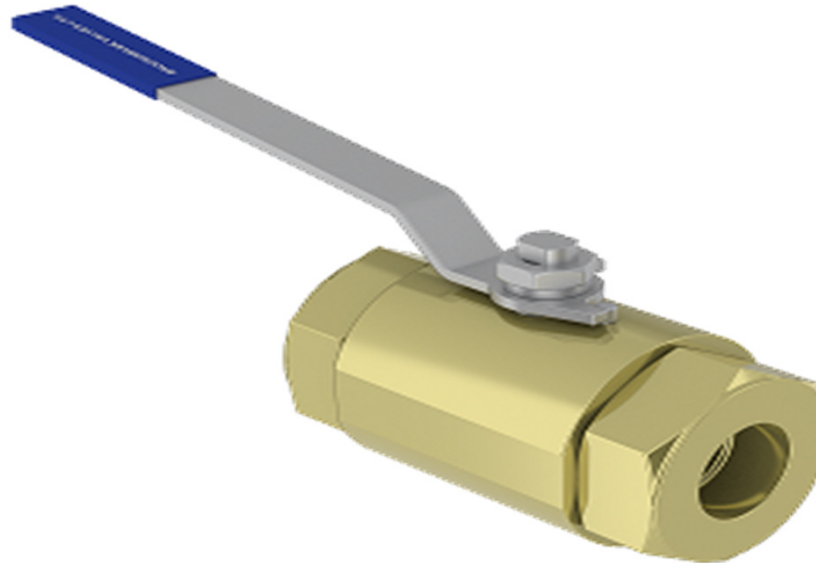
Locking facility (open & closed)
Extended stems (insulation allowance)
Range of seat materials:
PTFE, RPTFE, etc.

Materials

Regularly manufactured in a full range of materials including:

Nickel Aluminium Bronze
Bronze
Titanium
Hastelloy®
Monel®

Other materials available on request

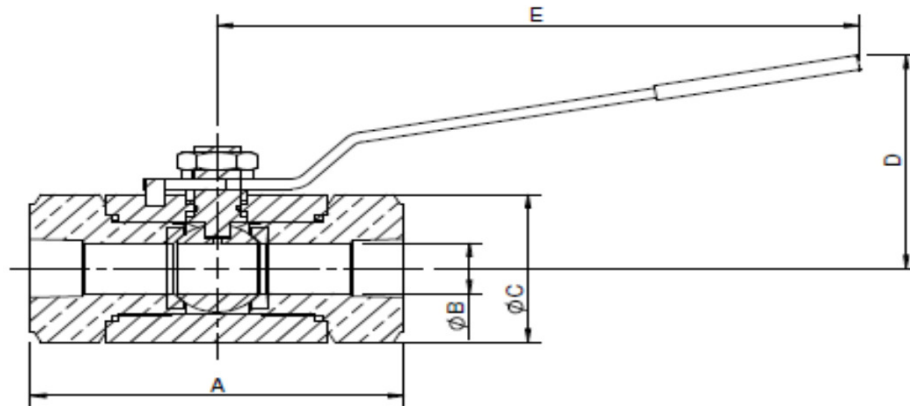


Specifications

ANSI B1-20.1 Screwed Ends
ANSI B16.34 Wall Thickness
PED Conformity
Designed generally in accordance with: API 6D
& ISO 17292 (formerly BS5351)

Screwed NPT

Dimensions



VALVE SIZE		mm					WEIGHT
INCH	mm	A	B NB Ball	C	D	E	kg
3/8"	10	84	10	35	59	115	0.5
1/2"	15	95	13	41	58	115	0.5
3/4"	20	116	19	54	73	150	2
1"	25	161	25	75	108	275	3
1 1/4"	30	180	32	100	120	275	9.1
1 1/2"	40	180	38	100	120	275	8.9
2"	50	229	51	132	150	300	17.3

Pressure Class 900#
Max Working pressure:
2000 psi with suitable soft trim.