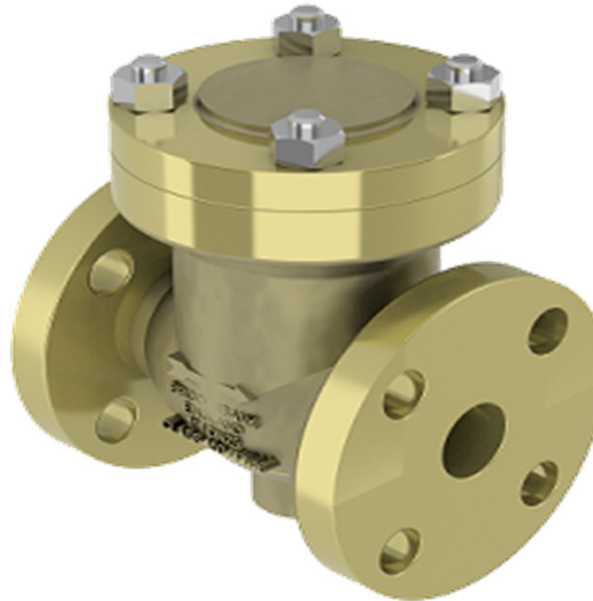


Description

The PCV70/71 is a piston check valve, with a non-loaded piston and integral cast flanges or screwed connections. Manufactured as standard in NiAlBr giving long service life on seawater applications.
In conformance with the Pressure Equipment Directive 97/23/EC

Standard Range,
PCV70 with integral seat,
Sizes: 1/2" to 2"
Connections: ANSI 150, 300 and Screwed.

PCV71 with renewable seat,
Sizes: 1/2" to 2"
Connections: ANSI 150, 300 and Screwed.



Materials

Regularly manufactured in a full range of materials including:

Nickel Aluminium Bronze – ASTM B148
Nickel Aluminium Bronze - DS02 747 Part 3
Gunmetal – DS02 830 Part 1
Bronze – ASTM B61/B62
Brass – HTB1
Titanium – ASTM B367
Hastelloy®
Monel®

Other materials available on request

Features

Bolted Bonnet

Options

Integral or renewable seats
Drain plug
Resilient seat
Threads: NPT, BSPP, BSPT

Specifications

ANSI B16.5 Flange Dimensions
ANSI B1-20.1 Screwed Ends
ANSI B16.10 Face to Face Length
ANSI B16.34 Wall Thickness
PED Conformity
Designed generally in accordance with: BSEN 12288 (formerly BS5154)

Screwed NPT

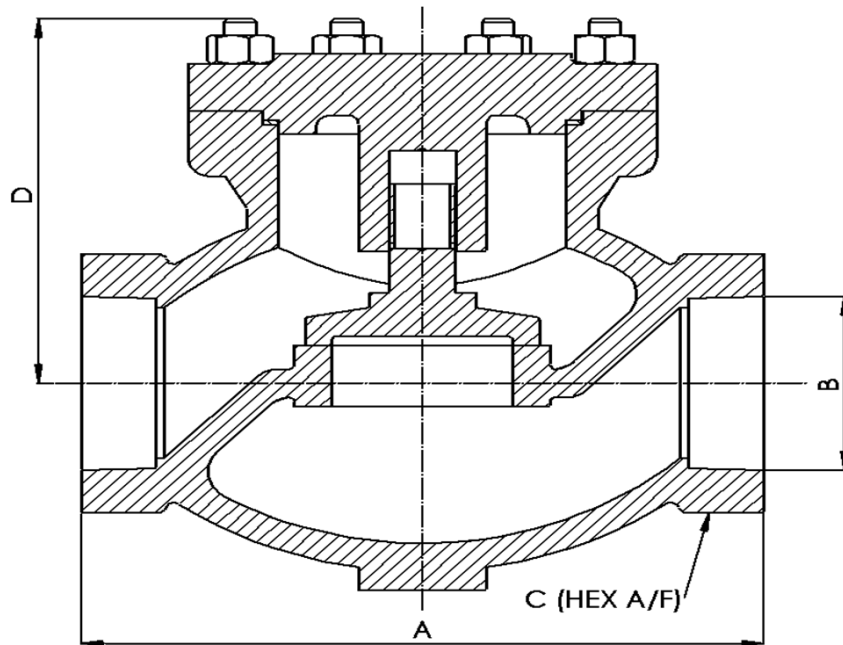
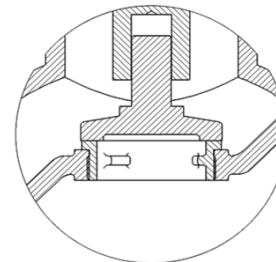
Dimensions

VALVE SIZE		mm				WEIGHT
INCH	mm	A	B Thread	C	D	kg
1/2"	15	108	1/2" NPT	38	98	1
3/4"	20	117	3/4" NPT	38	103	2
1"	25	127	1" NPT	48	109	4
1 1/2"	40	165	1 1/2" NPT	64	125	7
2"	50	203	2" NPT	76	123	11

Pressure class: 150# & 300#

PCV70:
shown with integral seats

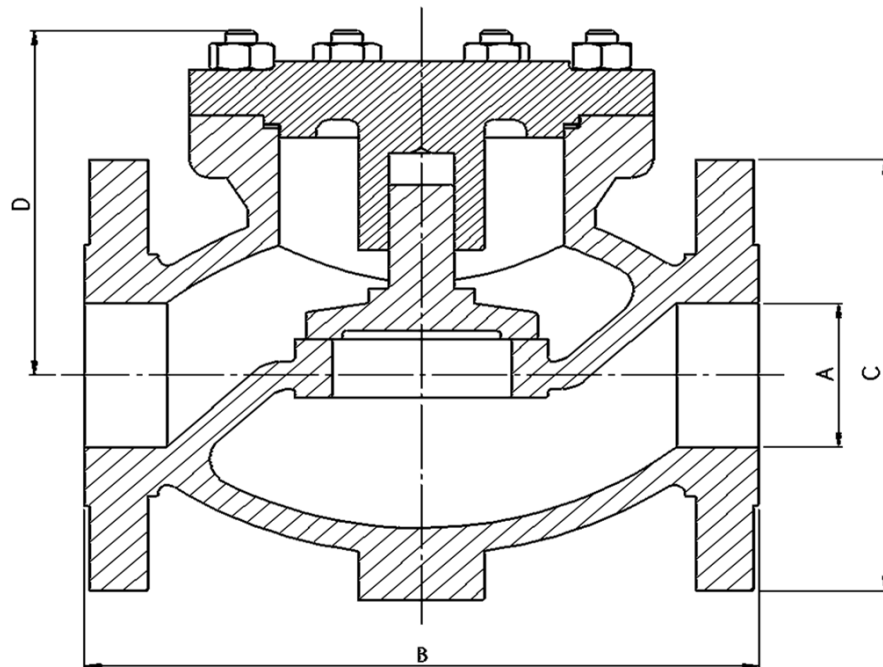
PCV71:
has renewable seats



Dimensions

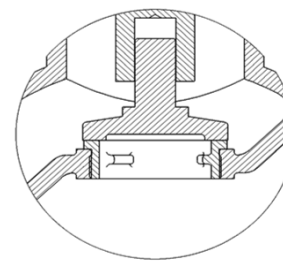
ANSI 150

VALVE SIZE		mm				WEIGHT kg
INCH	mm	A NB Pipe	B	C	D	
1/2"	15	13	108	89	98	4
3/4"	20	19	117	98	103	5
1"	25	25	127	108	109	7
1 1/2"	40	38	165	127	125	11
2"	50	51	203	152	123	15



PCV70:
shown with integral seats

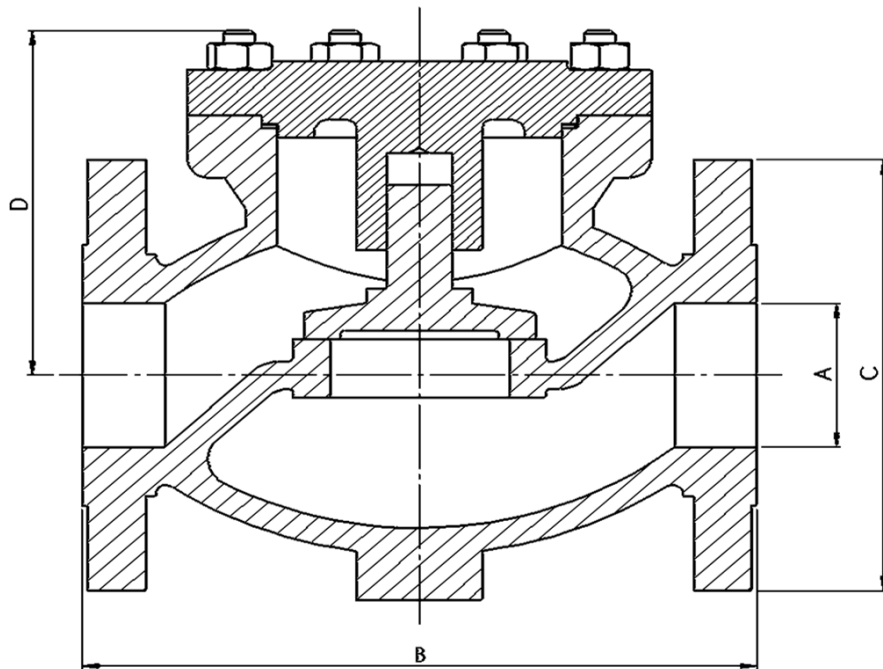
PCV71:
has renewable seats



Dimensions

ANSI 300

VALVE SIZE		mm				WEIGHT kg
INCH	mm	A	B	C	D	
1/2"	15	14	152	95	98	4
3/4"	20	19	178	117	103	6
1"	25	25	203	124	109	8
1 1/2"	40	38	229	156	125	13
2"	50	51	267	165	123	17



PCV70:
shown with integral seats

PCV71:
has renewable seats

