

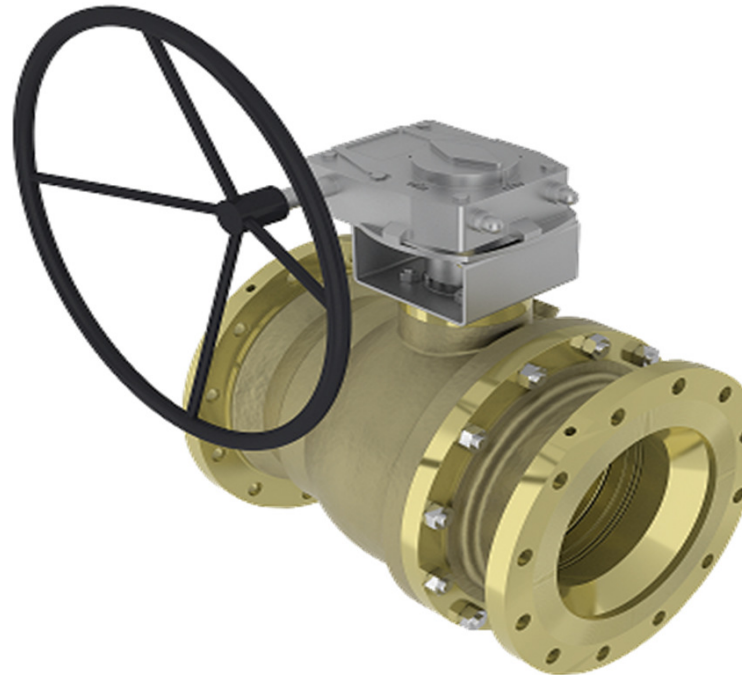
**Series: BAV16-1**  
**2 Piece Trunnion Mounted Ball Valve**

**Description**

The BAV16-1 is a 2 piece side entry, reduced bore trunnion mounted ball valve, with integral cast flanges. Manufactured as standard in NiAlBr and a range of specialist alloys, to give long service life on seawater applications.

In conformance with the Pressure Equipment Directive 97/23/EC.

Standard Range,  
Sizes: 2" to 16"  
Connections: ANSI 150 & 300.



**Materials**

**Regularly manufactured in a full range of materials including:**

- Nickel Aluminium Bronze – ASTM B148
- Nickel Aluminium Bronze - DS02 747 Part 3
- Gunmetal – DS02 830 Part 1
- Bronze – ASTM B61/B62
- Brass – HTB1
- Titanium – ASTM B367
- Hastelloy®
- Monel®

**Other materials available on request**

**Features**

- Anti-static / Anti blowout stem
- Cavity pressure relieving seats
- Pressure equalising ball design
- Firesafe by design
- ISO 5211 mounting platform
- Bolted Bonnet
- Bi-directional Flow
- Spring loaded seats
- Solid Ball

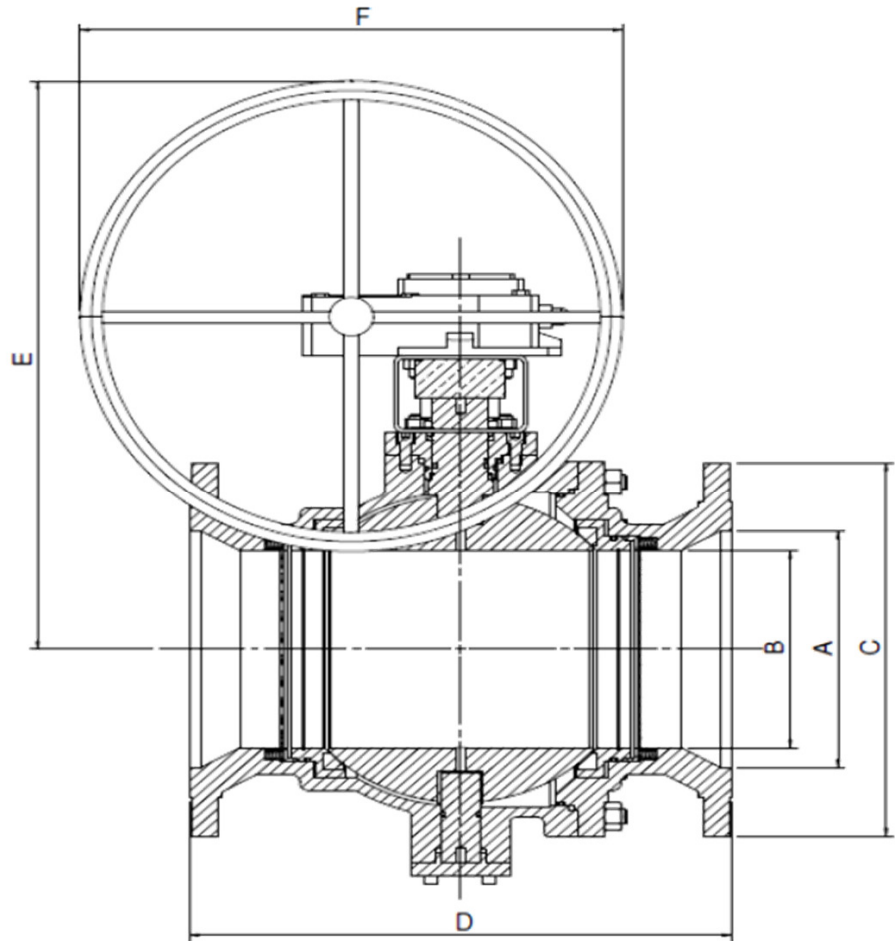
**Options**

- Bare shaft (for actuation by others)
- Actuation to customer specifications
- Locking facility (open & closed)
- Extended stems (insulation allowance)

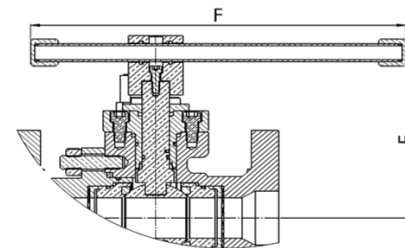
**Specifications**

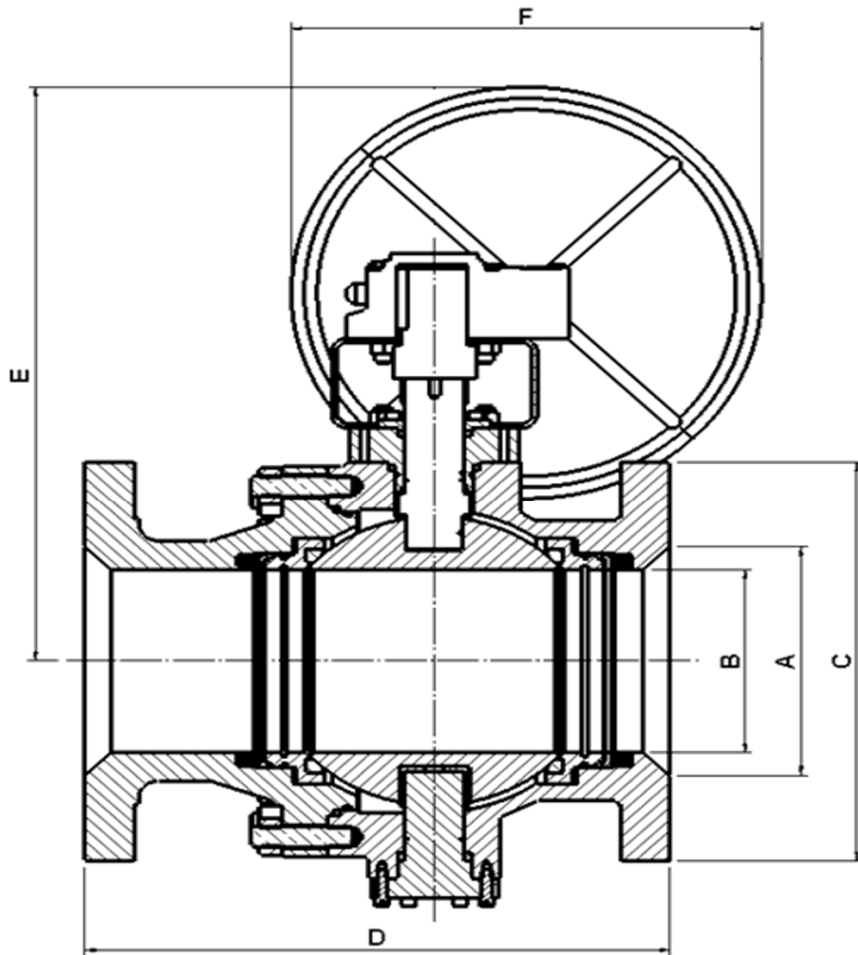
- ANSI B16.5 Flange Dimensions
- ANSI B16.10 Face to Face Length
- ANSI B16.34 Wall Thickness
- PED Conformity
- Designed generally in accordance with: API 6D & ISO 17292 (formerly BS5351)

**Dimensions**



VALVE SIZE		mm							WEIGHT
INCH	mm	A NB Pipe	B NB Ball	C	D	E	F		kg
							LEVER	HANDWHEEL	
2"	50	51	38	152	178	171	305	LEVER	15
2 1/2"	65	64	51	178	191	179	305	LEVER	20
3"	80	76	51	191	203	179	305	LEVER	21
4"	100	102	76	229	229	228	610	LEVER	40
6"	150	152	102	279	394	470	G/BOX	356	78
8"	200	203	152	343	457	537	G/BOX	400	149
10"	250	254	203	406	533	565	G/BOX	450	211
12"	300	305	254	483	610	736	G/BOX	600	402
14"	350	356	305	533	686	796	G/BOX	600	605
16"	400	406	305	597	762	872	G/BOX	762	646





**Dimensions**

VALVE SIZE		mm							WEIGHT
INCH	mm	A NB Pipe	B NB Ball	C	D	E	F LEVER HANDWHEEL	kg	
2"	50	51	38	165	216	171	305 LEVER	18	
2 1/2"	65	64	51	191	241	179	305 LEVER	24	
3"	80	76	51	210	283	179	305 LEVER	30	
4"	100	102	76	254	305	228	610 LEVER	53	
6"	150	152	100	318	403	456	G/BOX 305	99	
8"	200	152	203	381	502	555	G/BOX 400	205	
10"	250	254	203	445	568	638	G/BOX 457	332	
12"	300	305	254	521	648	762	G/BOX 610	525	
14"	350	356	305	584	762	958	G/BOX 914	778	
16"	400	406	305	648	835	949	G/BOX 914	807	

