

**Description**

The PCV76/77 is a piston check valve, with or without a spring-loaded piston and screwed connections. Manufactured as standard in NiAlBr giving long service life on seawater applications. In conformance with the Pressure Equipment Directive 97/23/EC

Standard Range,  
PCV76 with integral seat,  
Sizes: 1/2" to 2"  
Connections: Screwed.

PCV77 with removeable seat,  
Sizes: 1/2" to 2"  
Connections: Screwed.

Pressure class: 150/300#



**Materials**

**Regularly manufactured in a full range of materials including:**

- Nickel Aluminium Bronze – ASTM B148
- Nickel Aluminium Bronze - DS02 747 Part 3
- Gunmetal – DS02 830 Part 1
- Bronze – ASTM B61/B62
- Brass – HTB1
- Titanium – ASTM B367
- Hastelloy®
- Monel®

**Other materials available on request**

**Features**

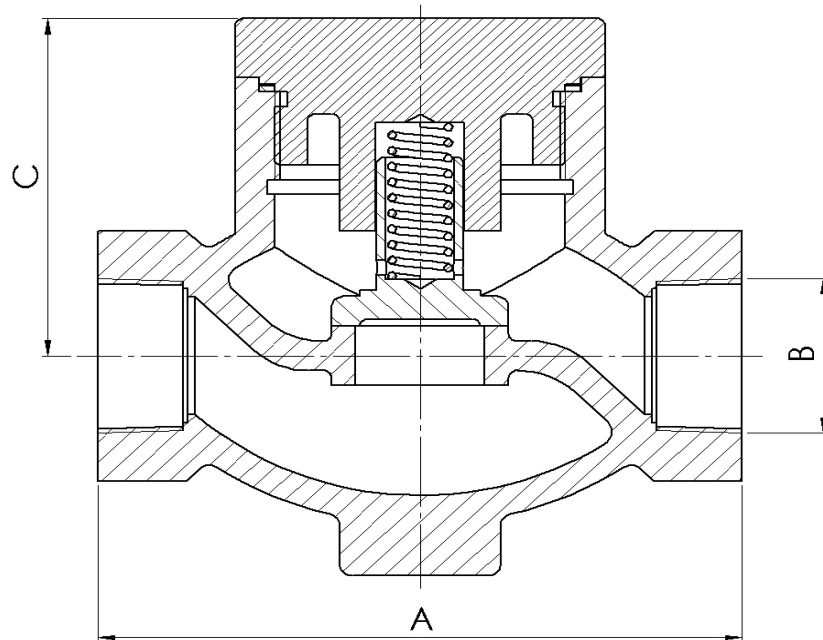
Screwed Bonnet

**Options**

- Integral or renewable seats
- Drain plug
- Resilient seat
- Spring or Non-loaded piston
- Threads: NPT, BSPP, BSPT

**Specifications**

- ANSI B1.20.1 Screwed ends
- ANSI B16.34 Wall Thickness
- PED Conformity
- Designed generally in accordance with: BSEN 12288 (formerly BS5154)



**Dimensions**

**Screwed NPT**

VALVE SIZE		mm			WEIGHT kg
INCH	mm	A	B Thread	C	
1/2"	15	108	1/2" NPT	64	1.8
3/4"	20	117	3/4" NPT	64	2.2
1"	25	127	1" NPT	73	2.7
1 1/4"	32	140	1 1/4" NPT	73	3.7
1 1/2"	40	165	1 1/2" NPT	87	5.2
2"	50	203	2" NPT	111	10.4

Pressure class: 150/300#