

#### Description

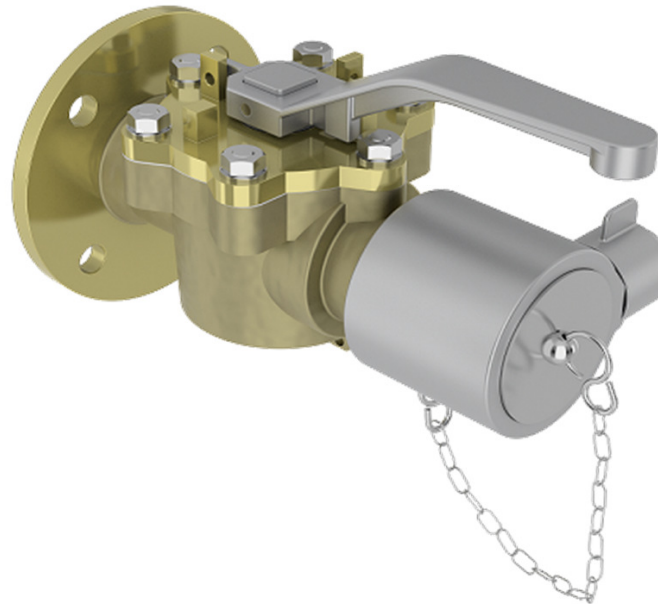
The PLV108 is a full bore straight through hydrant plug valve. This hydrant valve has particularly good shock resistance, and is therefore ideal for fire systems in critical locations. Manufactured as standard in Bronze to give long service life on seawater applications.  
In conformance with the Pressure Equipment Directive 97/23/EC

Standard Range,  
Sizes: 1-1/2" to 2-1/2"  
Connections: PN16

Working pressure: 10 Bar  
Max. Working temperature: 104degC

#### Features

Coated taper plug for smooth operation  
Renewable seats  
Resilient seated  
Quarter turn operation  
Top entry allows in-line maintenance



#### Materials

**Regularly manufactured in a full range of materials including:**

Nickel Aluminium Bronze – ASTM B148 C95800  
Nickel Aluminium Bronze - DS02 747 Part 3  
Gunmetal – DS02 830 Part 1  
Bronze – ASTM B61/B62  
Brass – HTB1  
Titanium – ASTM B367  
Hastelloy®  
Monel®

**Other materials available on request**

#### Options

Male or female IHC connection

#### Specifications

Designed specifically for Naval Applications.

**Dimensions**

**PN16**

VALVE SIZE		mm		WEIGHT kg	Drg IHC Female	Drg IHC Male
INCH	mm	A	B			
1 1/2"	40	11	150	12.7	1509	1515
2"	50	11	165	13.6	1510	1516
2 1/2"	65	13	185	14.5	1511	1517

