

**Description**

The BAV59 is a 2 Piece barstock, full bore floating ball valve, made from bar stock. Manufactured as standard in NiAlBr giving long service life on seawater applications.

In conformance with the Pressure Equipment Directive 97/23/EC.

Standard Range,  
Sizes: 1/2" to 2"  
Connections: Screwed

Pressure Class 900#  
Max Working pressure:  
2000 psi with suitable seat material.

**Features**

Anti-static / Anti blowout stem  
Cavity pressure relieving seats  
Pressure equalising ball design  
Bi-directional Flow  
Solid Ball

**Options**

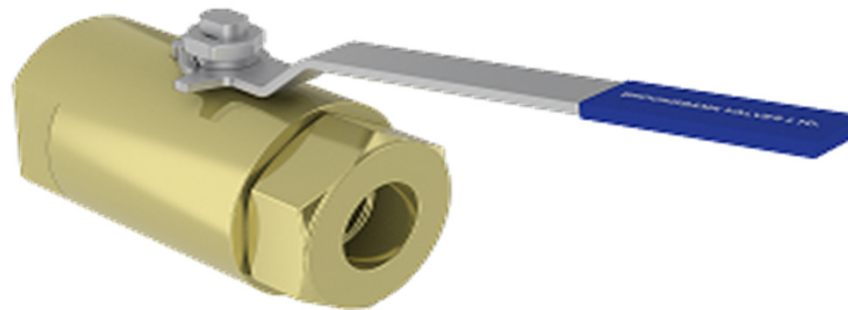
Locking facility (open & closed)  
Extended stems (insulation allowance)  
Range of seat materials:  
PTFE, RPTFE, etc.

**Materials**

**Regularly manufactured in a full range of materials including:**

Nickel Aluminium Bronze  
Bronze  
Titanium  
Hastelloy®  
Monel®

**Other materials available on request**

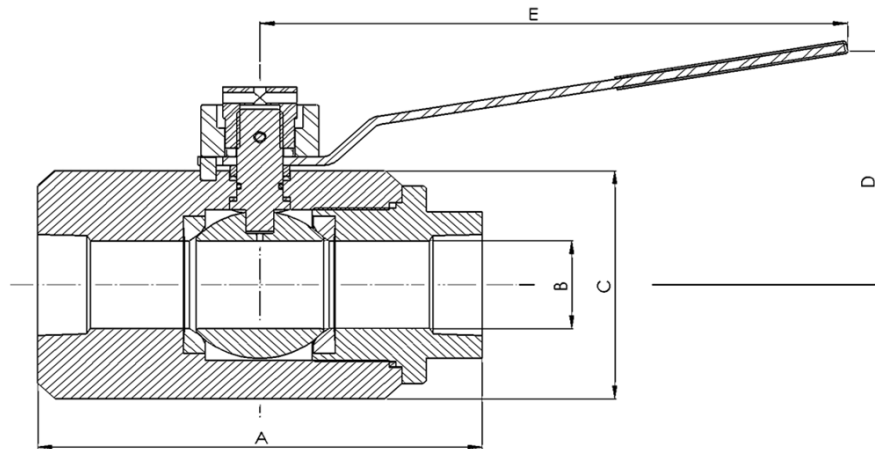


**Specifications**

PED Conformity  
ANSI B1-20.1 Screwed Ends  
Designed generally in accordance with: API 6D & ISO 17292 (formerly BS5351)

**Dimensions**

**Screwed NPT**



VALVE SIZE		mm					WEIGHT
INCH	mm	A	B NB Ball	C	D	E	kg
1/2"	15	95	13	41	65	141	1
3/4"	20	116	19	54	81	178	2
1"	25	161	25	75	108	277	4
1 1/2"	40	180	38	100	120	277	10
2"	50	229	51	132	135	302	20

Pressure Class 900#  
Max Working pressure:  
2000 psi with suitable soft trim.