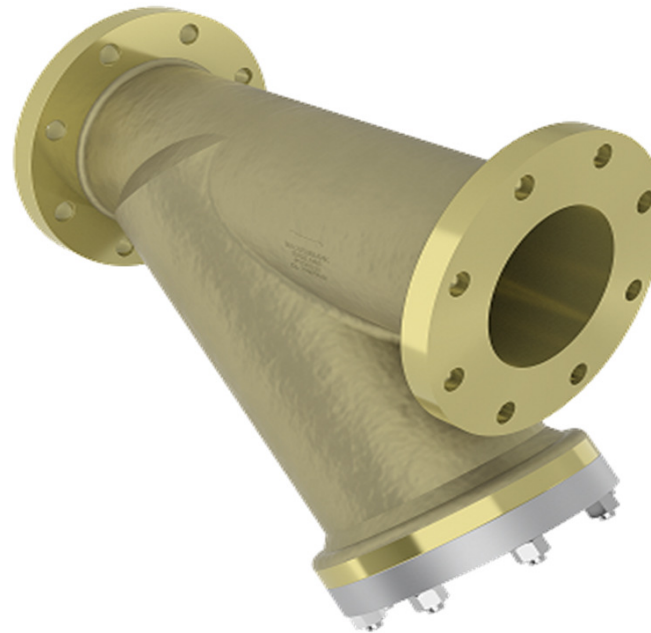


Description

The YTS60 is a Y-Type strainer with a bolted bonnet.

Standard Range,
Sizes: 1/2" to 12"
Connections: PN16, ANSI 150



Materials

Regularly manufactured in a full range of materials including:

- Nickel Aluminium Bronze – ASTM B148
- Nickel Aluminium Bronze - DS02 747 Part 3
- Gunmetal – DS02 830 Part 1
- Bronze – ASTM B61/B62
- Brass – HTB1
- Titanium – ASTM B367
- Hastelloy®
- Monel®

Other materials available on request

Features

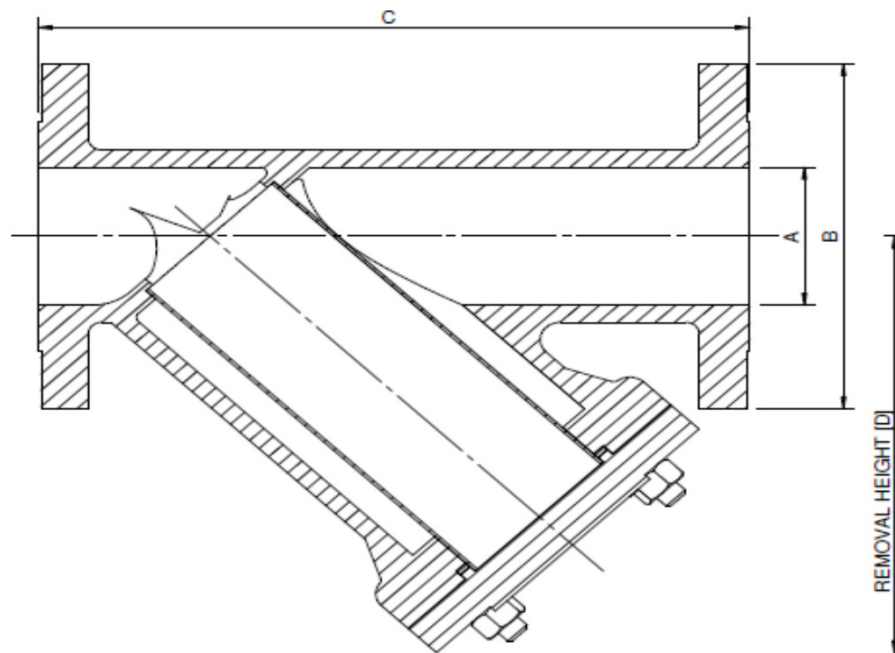
Basket easily removed, to clean or replace.
Bolted basket cover

Options

Drain plug

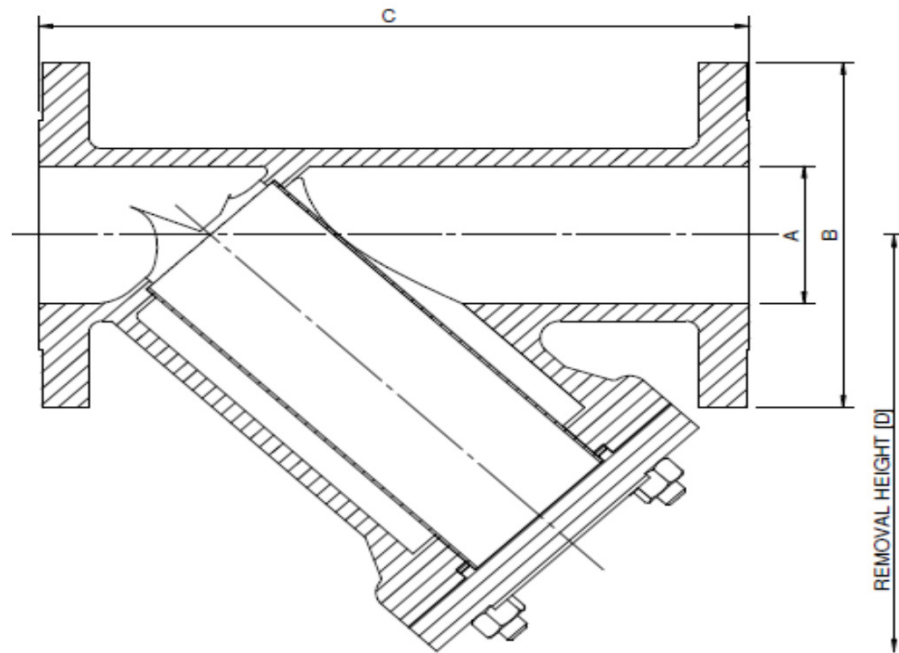
Specifications

ANSI B16.5 Flange Dimensions
ANSI B16.10 Face to Face Length
ANSI B16.34 Wall Thickness



Dimensions

VALVE SIZE		mm				WEIGHT kg
INCH	mm	A NB Pipe	B	C	D	
1/2"	15	14	89	127	116	2
3/4"	20	19	98	165	116	2.6
1"	25	25	108	185	146	3.8
1 1/2"	40	38	127	220	203	7.6
2"	50	51	152	230	270	11.3
2 1/2"	65	64	178	270	335	18.2
3"	80	76	191	335	344	25.6
4"	100	102	229	358	448	37.2
6"	150	152	279	490	483	76.5
8"	200	203	343	595	848	139.4
10"	250	254	406	740	987	249.3
12"	300	305	483	900	1181	365.8



Dimensions

VALVE SIZE		mm				WEIGHT kg
INCH	mm	A NB Pipe	B	C	D	
1/2"	15	14	95	127	116	2
3/4"	20	19	105	165	116	2.6
1"	25	25	115	185	146	3.8
1 1/2"	40	38	150	220	203	7.6
2"	50	51	165	230	270	11.3
2 1/2"	65	64	185	270	335	18.2
3"	80	76	200	335	344	25.6
4"	100	102	220	358	448	37.2
6"	150	152	285	490	483	76.5
8"	200	203	340	595	848	139.4
10"	250	254	405	740	987	249.3
12"	300	305	460	900	1181	365.8