

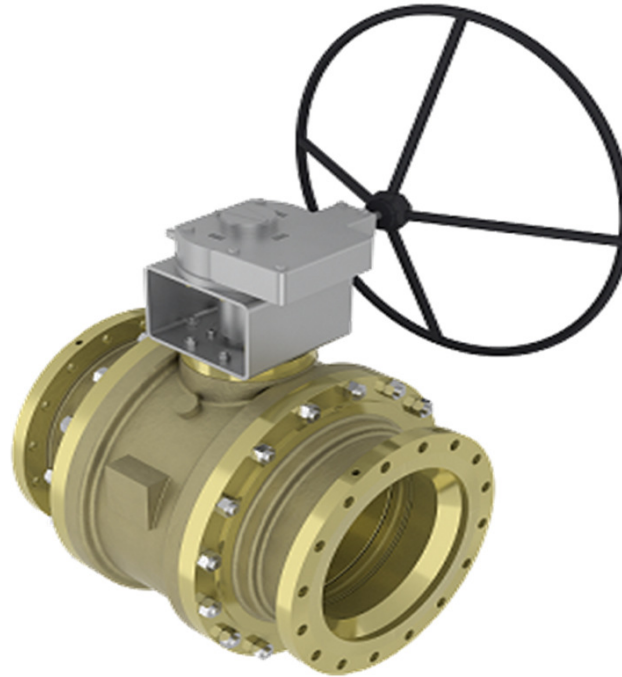
Series: BAV16-2
3 Piece Trunnion Mounted Ball Valve

Description

The BAV16-2 is a 3 piece side entry, reduced bore trunnion mounted ball valve, with integral cast flanges. Manufactured as standard in NiAlBr giving long service life on seawater applications.

In conformance with the Pressure Equipment Directive 97/23/EC.

Standard Range,
Sizes: 18" to 24"
Connections: ANSI 150 & 300.



Materials

Regularly manufactured in a full range of materials including:

Nickel Aluminium Bronze – ASTM B148
Nickel Aluminium Bronze - DS02 747 Part 3
Gunmetal – DS02 830 Part 1
Bronze – ASTM B61/B62
Brass – HTB1
Titanium – ASTM B367
Hastelloy®
Monel®

Other materials available on request

Features

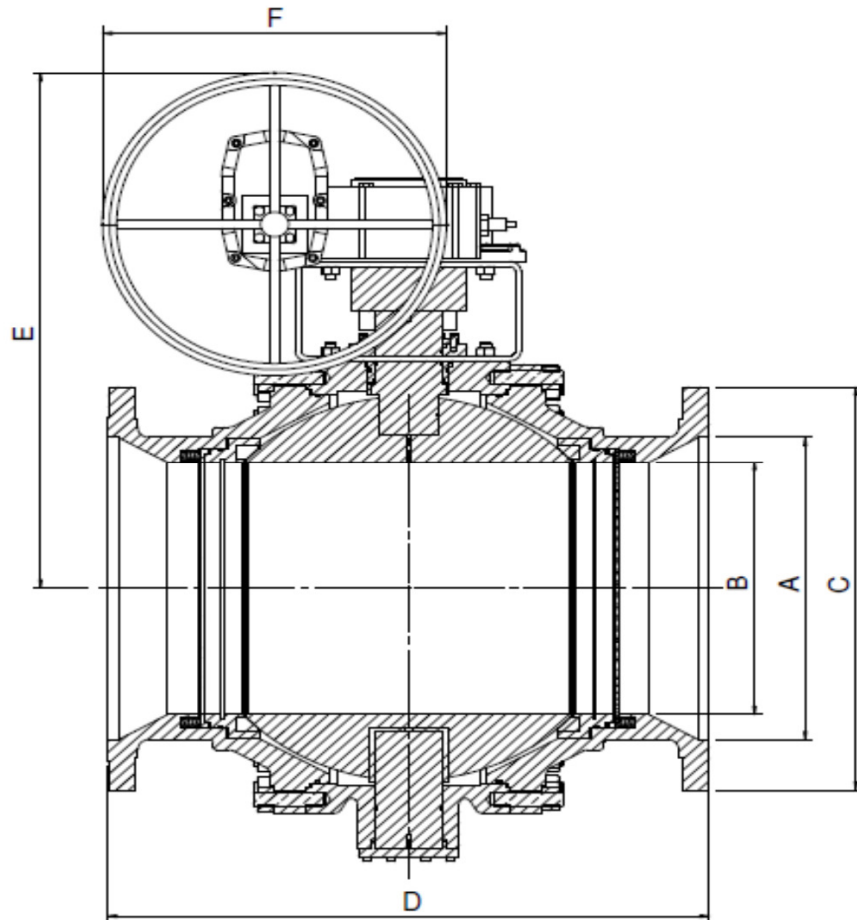
Anti-static / Anti blowout stem
Cavity pressure relieving seats
Pressure equalising ball design
Firesafe by design
ISO 5211 mounting platform
Bolted Bonnet
Bi-directional Flow
Spring loaded seats
Solid Ball

Options

Bare shaft (for actuation by others)
Actuation to customer specifications
Locking facility (open & closed)
Extended stems (insulation allowance)

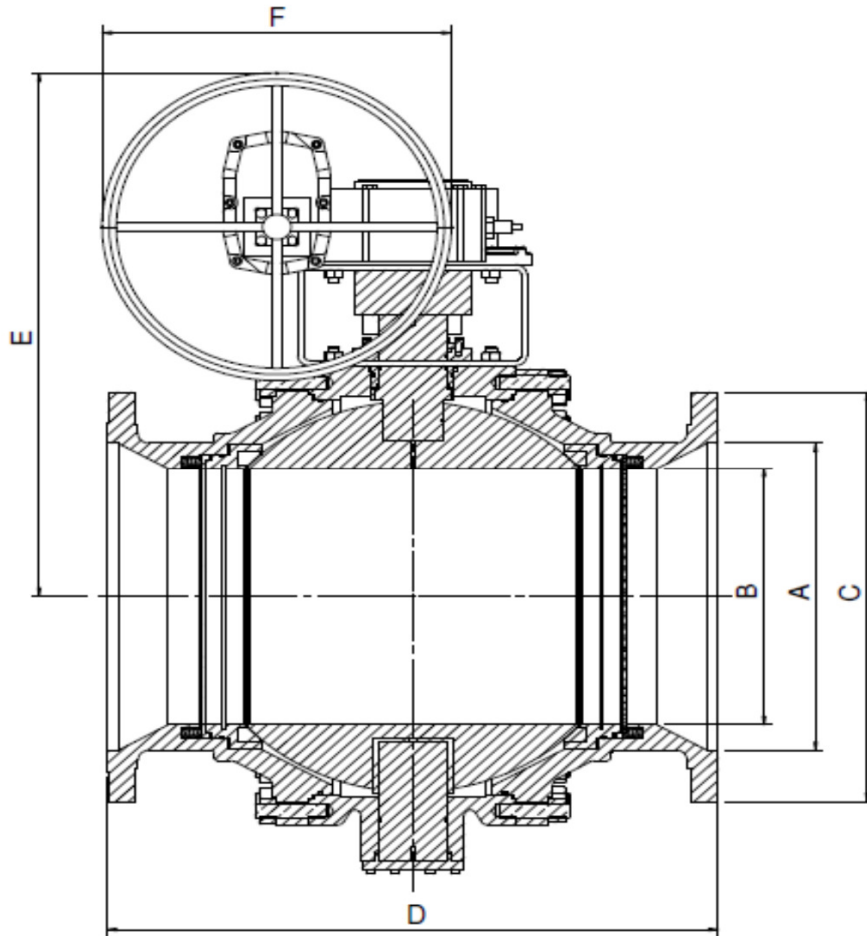
Specifications

ANSI B16.5 Flange Dimensions
ANSI B16.10 Face to Face Length
ANSI B16.34 Wall Thickness
PED Conformity
Designed generally in accordance with: API 6D
& ISO 17292 (formerly BS5351)



Dimensions

VALVE SIZE		mm							WEIGHT
INCH	mm	A NB Pipe	B NB Ball	C	D	E	F LEVER HANDWHEEL	kg	
18"	457	457	406	635	864	1219	G/BOX	1356	
20"	508	508	406	699	914	1143	G/BOX	1496	
24"	610	610	508	813	1067	1194	G/BOX	2240	



Dimensions

VALVE SIZE		mm							WEIGHT
INCH	mm	A NB Pipe	B NB Ball	C	D	E	F LEVER HANDWHEEL	kg	
18"	457	457	406	711	915	916	G/BOX 600	1930	
20"	508	508	406	775	990	916	G/BOX 600	2005	
24"	610	610	508	915	1143	1374	G/BOX 914	3525	