

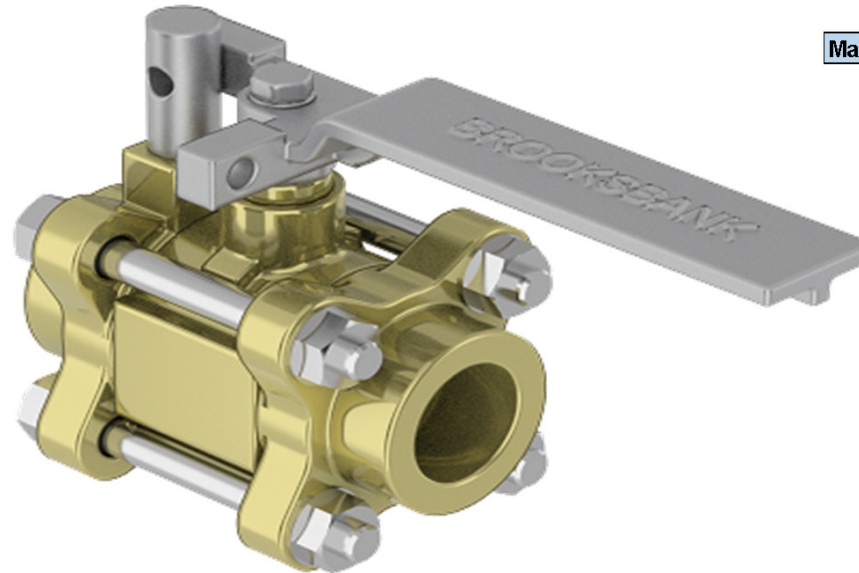
Description

The BAV110 is a 3 Piece bolted body, full bore floating ball valve. Manufactured as standard in NiAlBr giving long service life on seawater applications.

In conformance with the Pressure Equipment Directive 97/23/EC.

Standard Range,
Sizes: 1/4" to 2"
Connections: Screwed.

Pressure class 150/300#



Materials

Regularly manufactured in a full range of materials including:

- Nickel Aluminium Bronze – ASTM B148
- Nickel Aluminium Bronze - DS02 747 Part 3
- Gunmetal – DS02 830 Part 1
- Bronze – ASTM B61/B62
- Brass – HTB1
- Titanium – ASTM B367
- Hastelloy®
- Monel®

Other materials available on request

Features

- Anti-static / Anti blowout stem
- Cavity pressure relieving seats
- Pressure equalising ball design
- Bi-directional Flow
- Solid Ball

Options

- Locking facility (open & closed)
- Extended stems (insulation allowance)

Specifications

- ANSI B1-20.1 Screwed Ends
- ANSI B16.34 Wall Thickness
- PED Conformity
- Designed generally in accordance with: API 6D & ISO 17292 (formerly BS5351)

Screwed

Dimensions

VALVE SIZE		mm					WEIGHT	Drg
INCH	mm	A	B	C	D	E	kg	
1/4"	6	1/4" BSP	29	65	50	89	0.75	1843
3/8"	10	3/8"	29	65	50	89	0.75	1844
1/2"	15	1/2" BSP	29	65	50	89	0.6	1845
3/4"	20	3/4" BSPT	34	95	56	89	1.25	1846
1"	25	1" BSPP	44	90	67	113	1.75	1847
1-1/4"	32	1-1/4"	50	96	72	135	2.75	1848
1-1/2"	40	1-1/2" BSPP	57	113	82	141	3.25	1849
2"	50	2" BSPP	76	133	106	203	7.5	1862

Pressure class 150/300#

