

**Description**

The BUV120 is a concentric butterfly valve, with a wafer design body. Manufactured as standard in NiAlBr giving long service life on seawater applications. Suitable for bi-directional flow with bubble tight shutoff.

In conformance with the Pressure Equipment Directive 97/23/EC

Standard Range,  
Sizes: 2" to 20"  
Connections: ANSI 150



**Materials**

**Regularly manufactured in a full range of materials including:**

- Nickel Aluminium Bronze – ASTM B148
- Nickel Aluminium Bronze - DS02 747 Part 3
- Gunmetal – DS02 830 Part 1
- Bronze – ASTM B61/B62
- Brass – HTB1
- Titanium – ASTM B367
- Hastelloy®
- Monel®

**Other materials available on request**

**Features**

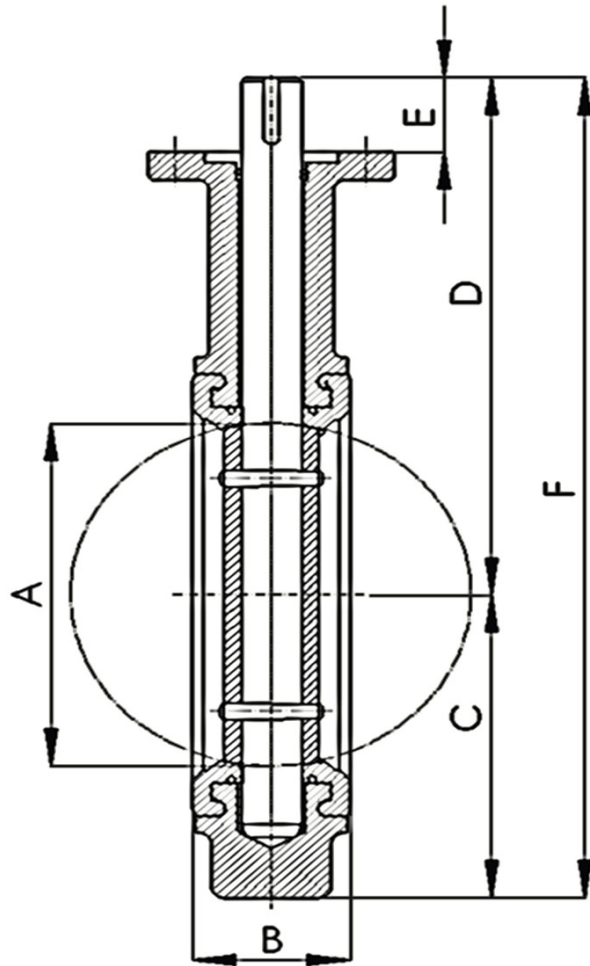
- Bi-directional flow
- Non Jamming resilient seated
- Tight shut-off at full rating
- Viton Rubber lined (Export Controlled)
- Body liner also provides gasket face
- Low pressure drop
- Low torque
- Lifting lugs provided as standard
- For mounting in-line

**Options**

- Lever, gear or actuated operation
- Bare shaft
- Locking facility
- Alternative linings: NBR, EPDM, Silicon, Viton

**Specifications**

- ANSI B16.5 Flange Dimensions
- ISO 5752
- API 609



**Dimensions**

**ANSI 150**

VALVE SIZE		mm						WEIGHT kg
INCH	mm	A NB Pipe	B	C	D	E	F	
2"	50	21	43	55	128	33	216	3
2 1/2"	65	43	46	66	140	33	239	4
3"	80	65	46	75	150	33	258	5
4"	100	87	52	95	165	33	293	5
5"	125	113	56	115	178	33	326	7
6"	150	136	56	130	190	33	353	8
8"	200	189	60	155	230	50	435	13
10"	250	236	68	215	270	50	535	20
12"	296	284	78	251	310	50	611	31
14"	350	326	78	270	335	50	655	43
16"	400	365	102	325	370	60	755	70
18"	450	415	114	347	390	60	797	86
20"	500	468	127	383	420	80	883	128