

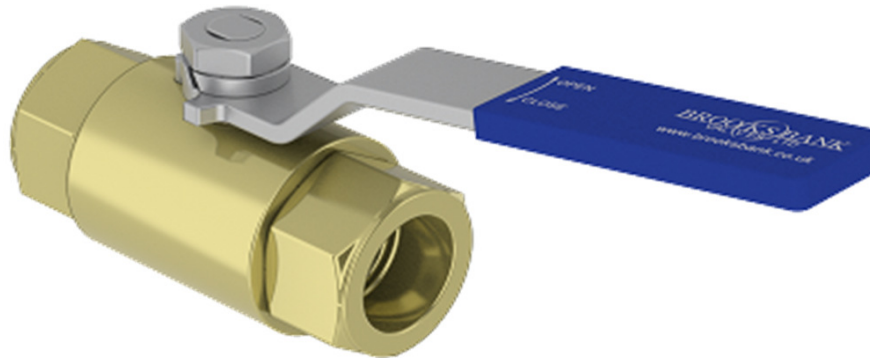
Description

The BAV14 is a 3 Piece barstock, reduced bore floating ball valve, made from bar stock. Manufactured as standard in NiAlBr to giving long service life on seawater applications.

In conformance with the Pressure Equipment Directive 97/23/EC.

Standard Range,
Sizes: 1/2" to 2"
Connections: Screwed

Pressure Class 900#
Max Working Pressure:
2000 psi with suitable seat material.



Materials

Regularly manufactured in a full range of materials including:

- Nickel Aluminium Bronze
- Bronze
- Titanium
- Hastelloy®
- Monel®

Other materials available on request

Features

- Anti-static / Anti blowout stem
- Cavity pressure relieving seats
- Pressure equalising ball design
- Bi-directional Flow
- Solid Ball

Options

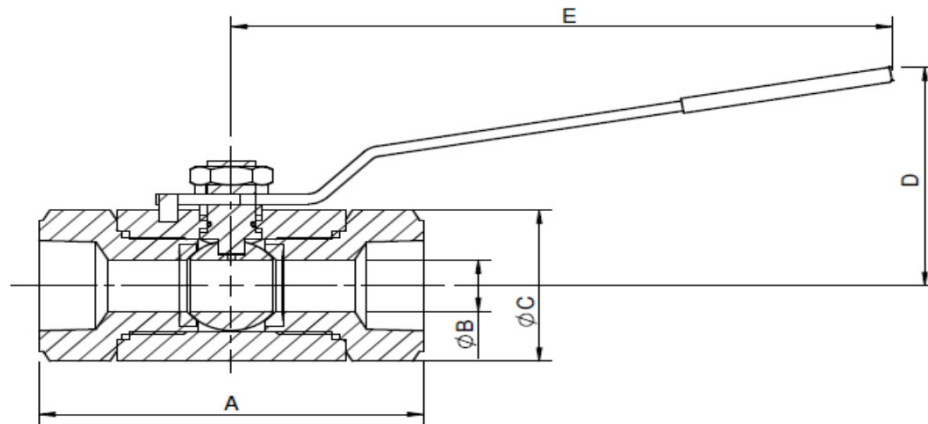
- Locking facility (open & closed)
- Extended stems (insulation allowance)
- Range of seat materials:
PTFE, RPTFE, etc.

Specifications

- ANSI B1-20.1 Screwed Ends
- ANSI B16.34 Wall Thickness
- PED Conformity
- Designed generally in accordance with: API 6D & ISO 17292 (formerly BS5351)

Dimensions

Screwed NPT



VALVE SIZE		mm					WEIGHT
INCH	mm	A	B NB Ball	C	D	E	kg
1/2"	15	84	10	35	54	115	0.5
3/4"	20	95	13	41	59	115	0.7
1"	25	116	20	54	73	150	1.6
1 1/2"	40	161	25	75	108	225	4.6
2"	50	180	38	100	120	275	8.6

Max Working Pressure:
2000 psi with suitable soft trim.