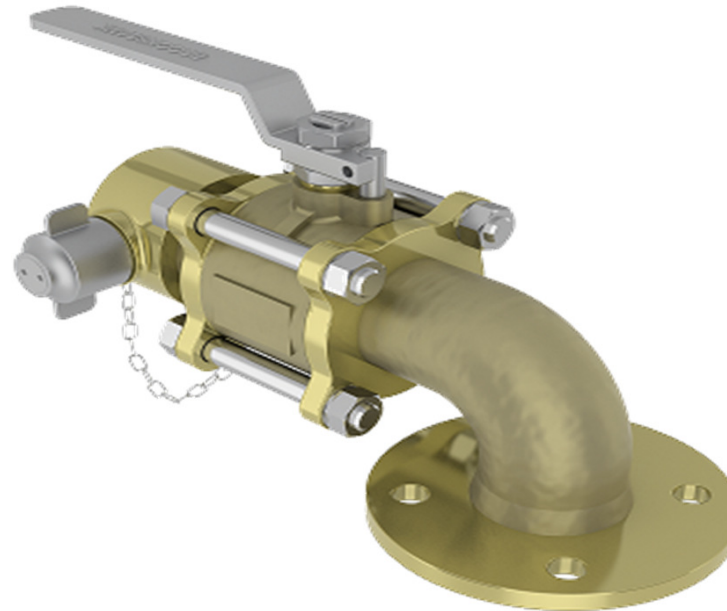


Description

The BAV116 is a full bore (2-1/2" is reduced bore) straight through hydrant floating ball valve. Manufactured as standard in Bronze to give long service life on seawater applications.

In conformance with the Pressure Equipment Directive 97/23/EC

Standard Range,
Sizes: 1-1/2" to 2-1/2"
Connections: PN16 with IHC male or female connectors.



Materials

Regularly manufactured in a full range of materials including:

- Nickel Aluminium Bronze – ASTM B148
- Nickel Aluminium Bronze - DS02 747 Part 3
- Gunmetal – DS02 830 Part 1
- Bronze – ASTM B61/B62
- Brass – HTB1
- Titanium – ASTM B367
- Hastelloy®
- Monel®

Other materials available on request

Features

- Anti-static / Anti blowout stem
- Solid Ball

Options

- Male or female IHC connection
- Locking facility
- Extended stems (insulation allowance)

Specifications

- Designed specifically for Naval Applications.
- PED Conformity
- BS4504, BS5351 & BS336

Dimensions

PN16

VALVE SIZE		mm					WEIGHT kg	Drg IHC Female	Drg IHC Male
INCH	mm	A NB Pipe	B	C	D	E			
1 1/2"	40	40	150	186	160	188	8.5	1876	1879
2"	50	72	165	207	203	220	13	1877	1880
2 1/2"	65	72	185	207	203	230	13.5	1878	1881

