

Description

The GLV54/55 is a globe valve, with a simple bolted bonnet, rising stem/handwheel and integral cast flanges. Manufactured as standard in NiAlBr giving long service life on seawater applications.
In conformance with the Pressure Equipment Directive 97/23/EC.

Standard Range,
GLV54 with integral seat,
Sizes: 1/2" to 6"
Connections: ANSI 150 & 300.

GLV55 with renewable seat,
Sizes: 1/2" to 6"
Connections: ANSI 150 & 300.

Features

Bolted Bonnet
Rising stem & handwheel
Swivel disc
Multiple ring stem packing
Back seat facility

Options

Integral or renewable seats
Screw down non-return
Contoured plug
Needle plug
Locking facility



Materials

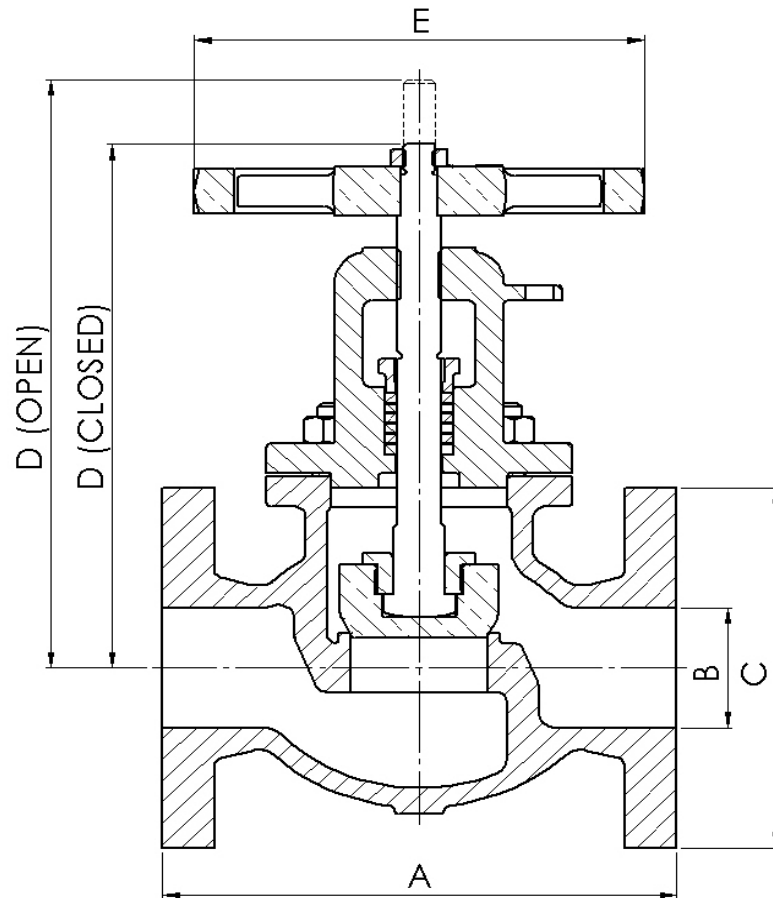
Regularly manufactured in a full range of materials including:

Nickel Aluminium Bronze – ASTM B148
Nickel Aluminium Bronze - DS02 747 Part 3
Gunmetal – DS02 830 Part 1
Bronze – ASTM B61/B62
Brass – HTB1
Titanium – ASTM B367
Hastelloy®
Monel®

Other materials available on request

Specifications

ANSI B16.5 Flange Dimensions
ANSI B16.10 Face to Face Length
ANSI B16.34 Wall Thickness
PED Conformity

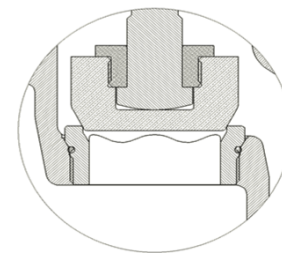


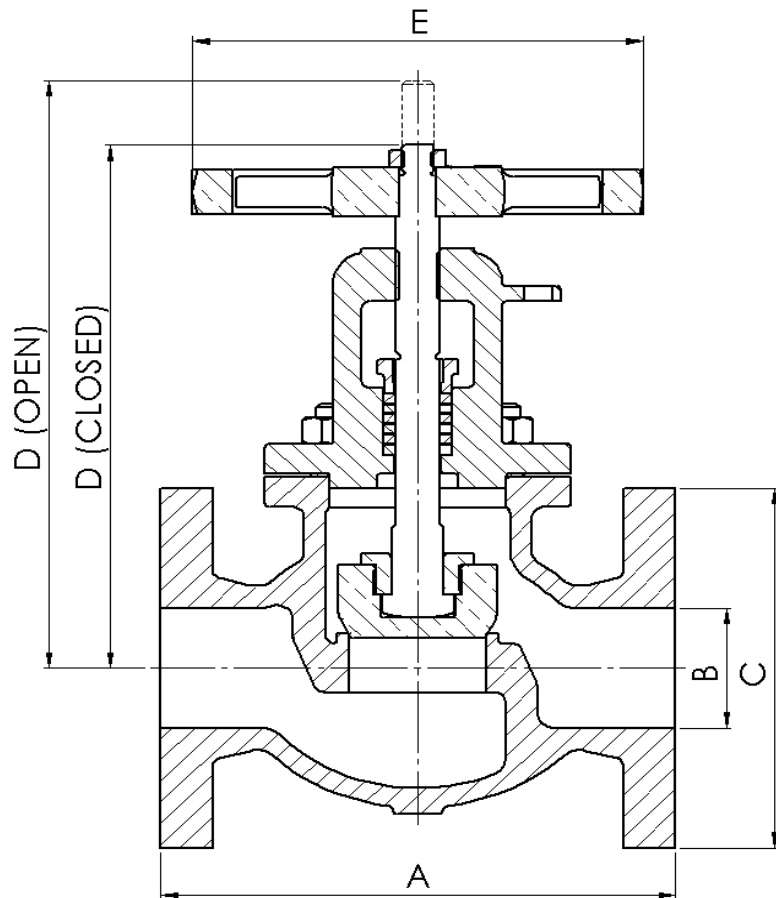
Dimensions

VALVE SIZE		mm						WEIGHT kg
INCH	mm	A	B NB Pipe	C	D		E	
					CLOSED	OPEN		
1/2"	15	108	13	89	130	139	102	2.5
3/4"	20	117	19	98	148	158	102	3.5
1"	25	127	25	108	168	184	102	5
1 1/2"	40	165	38	127	199	218	127	9
2"	50	203	51	152	221	243	178	16
2 1/2"	65	216	64	178	245	269	178	22
3"	80	241	76	191	340	377	254	32
4"	100	292	102	229	385	423	305	49
6"	150	406	152	279	448	504	305	82

GLV54:
shown with integral seats

GLV55:
has renewable seats





Dimensions

ANSI 300

VALVE SIZE		mm						WEIGHT kg
INCH	mm	A	B NB Pipe	C	D		E	
					CLOSED	OPEN		
1/2"	15	152	13	95	130	144	102	3.3
3/4"	20	178	19	117	171	182	102	5.8
1"	25	203	25	124	195	210	102	8
1 1/2"	40	229	38	156	210	227	178	15
2"	50	267	51	165	236	263	178	20
3"	80	292	76	210	389	418	305	45
4"	100	356	102	254	409	445	305	71

GLV54:
shown with integral seats

GLV55:
has renewable seats

