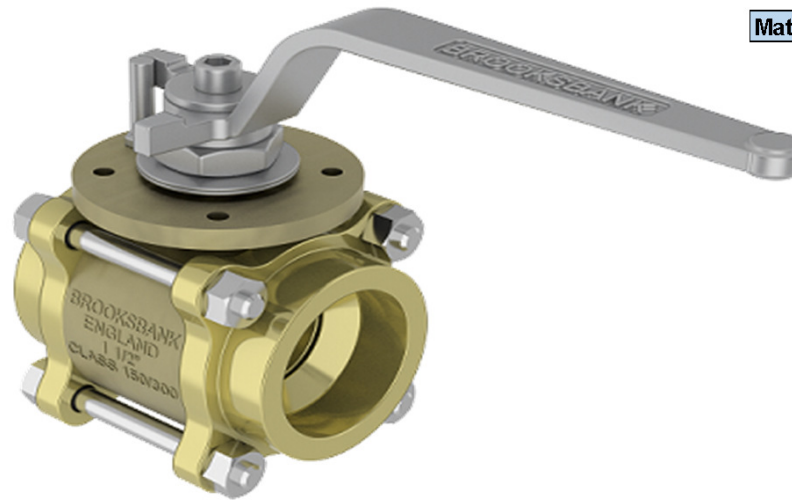


Description

The BAV07 is a 3 Piece bolted, reduced bore floating ball valve. Manufactured as standard in NiAlBr giving long service life on seawater applications.

In conformance with the Pressure Equipment Directive 97/23/EC.

Standard Range,
Sizes: Screwed 3/4" to 3"
Sizes: Flanged 3/4" to 6"
Connections: Screwed, ANSI 150 & 300.



Materials

Regularly manufactured in a full range of materials including:

- Nickel Aluminium Bronze – ASTM B148
- Nickel Aluminium Bronze - DS02 747 Part 3
- Gunmetal – DS02 830 Part 1
- Bronze – ASTM B61/B62
- Brass – HTB1
- Titanium – ASTM B367
- Hastelloy®
- Monel®

Other materials available on request

Features

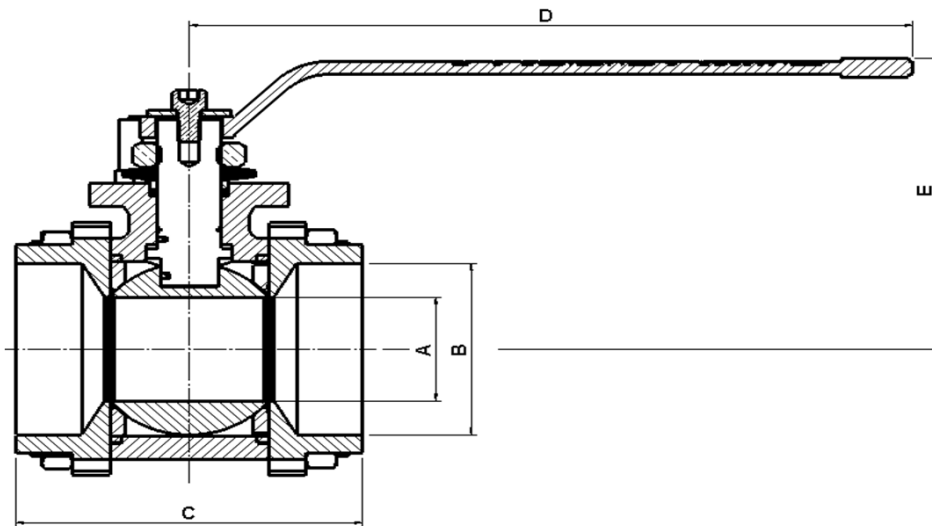
- Anti-static / Anti blowout stem
- Cavity pressure relieving seats
- Pressure equalising ball design
- ISO 5211 mounting platform (on 1-1/4" & above)
- Bi-directional Flow
- Solid Ball

Options

- Bare shaft (for actuation by others)
- Actuation to customer specifications
- Locking facility (open & closed)
- Extended stems (insulation allowance)

Specifications

- ANSI B16.5 Flange Dimensions
- ANSI B16.10 Face to Face Length
- ANSI B1-20.1 Screwed Ends with overall length to manufacturers standard.
- ANSI B16.34 Wall Thickness
- PED Conformity
- Designed generally in accordance with: API 6D & ISO 17292 (formerly BS5351)

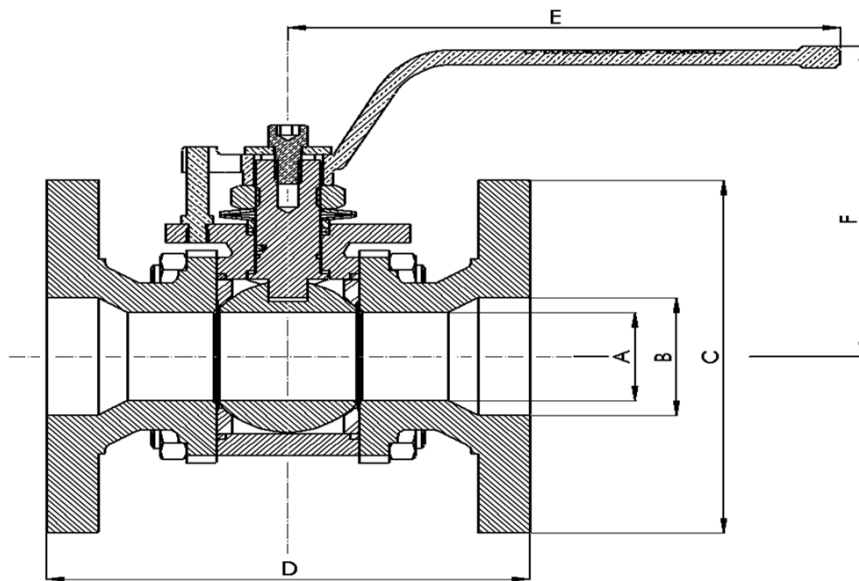


Dimensions

Screwed NPT

VALVE SIZE		mm unless stated					WEIGHT kg
INCH	mm	A NB Ball	B Thread	C	D	E	
3/4"	20	13	3/4" NPT	68	157	72	1
1"	25	19	1" NPT	76	195	114	1
1 1/4"	32	25	1 1/4" NPT	98	195	132	3
1 1/2"	40	25	1 1/2" NPT	98	195	132	3
2"	50	38	2" NPT	111	195	134	4
2 1/2"	65	51	2 1/2" NPT	130	289	199	8
3"	80	51	3" NPT	146	289	203	8

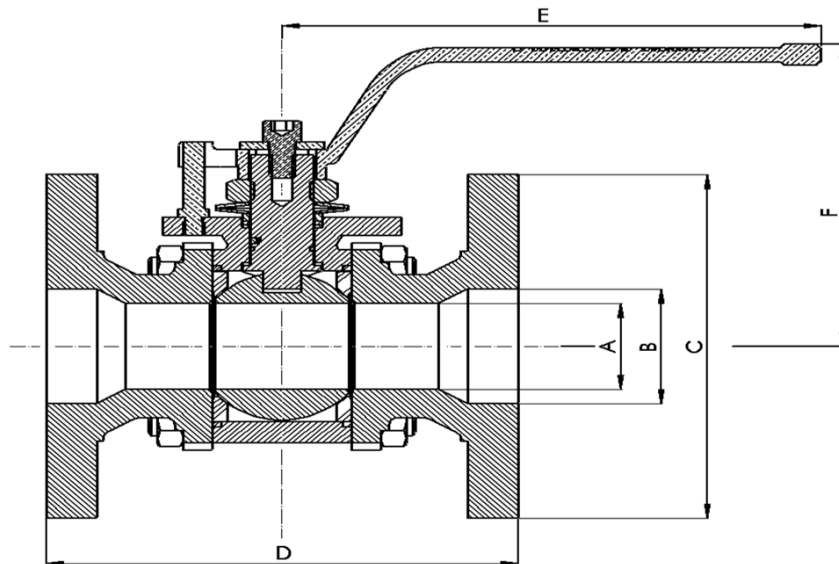
Pressure class: 150/300#



Dimensions

ANSI 150

VALVE SIZE		mm unless stated						WEIGHT kg
INCH	mm	A NB Ball	B NB Pipe	C	D	E	F	
3/4"	20	13	19	98	117	165	72	2
1"	25	19	25	108	127	203	114	3
1 1/4"	32	25	32	117	140	203	132	5
1 1/2"	40	25	32	127	140	203	132	6
2"	50	38	51	152	178	203	134	10
2 1/2"	65	51	64	178	191	305	142	13
3"	80	51	76	191	203	305	152	19
4"	100	76	102	229	229	305	159	35
5"	125	102	127	254	254	610	197	43
6"	150	100	152	279	267	610	197	101



Dimensions

ANSI 300

VALVE SIZE		mm unless stated						WEIGHT kg
INCH	mm	A NB Ball	B NB Pipe	C	D	E	F	
3/4"	20	13	19	117	152	165	72	4
1"	25	19	25	124	165	203	114	5
1 1/4"	32	25	32	133	178	203	132	6
1 1/2"	40	25	38	156	191	203	132	8
2"	50	38	51	165	216	203	134	12
2 1/2"	65	51	64	191	241	305	142	17
3"	80	51	76	210	283	305	152	31
4"	100	76	102	254	305	305	159	56
5"	125	102	127	279	305	610	197	63
6"	150	100	152	318	403	610	197	121