

Description

The GLV42 is a globe valve, with a union bonnet, integral seat, rising stem/handwheel and screwed connections. Manufactured as standard in NiAlBr giving long service life on seawater applications.

In conformance with the Pressure Equipment Directive 97/23/EC.

Standard Range,
Sizes: 1/2" to 2"
Connections: Screwed.

Pressure class: 150/300#



Materials

Regularly manufactured in a full range of materials including:

- Nickel Aluminium Bronze – ASTM B148
- Nickel Aluminium Bronze - ASTM B148
- Gunmetal – DS02 830 Part 1
- Bronze – ASTM B61/B62
- Brass – HTB1
- Titanium – ASTM B367
- Hastelloy®
- Monel®

Other materials available on request

Features

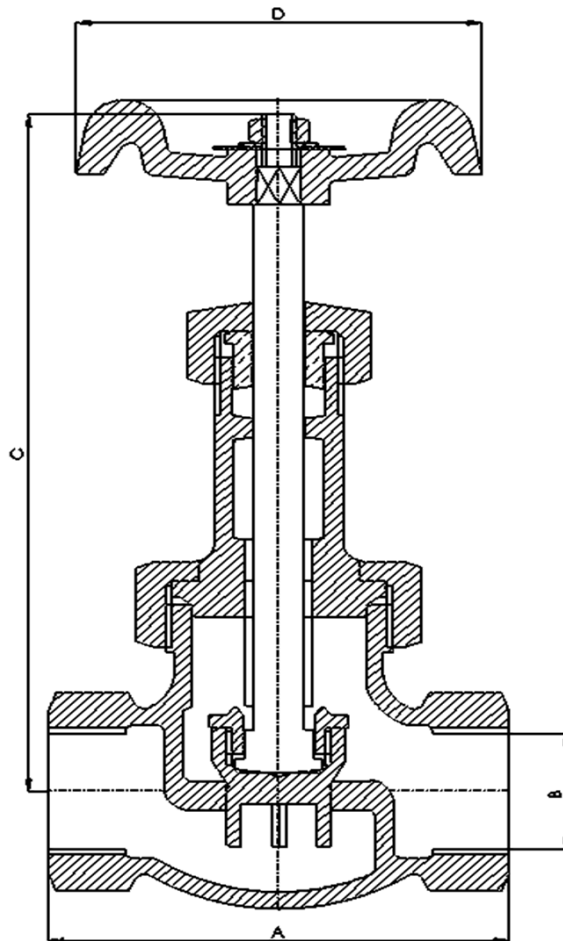
- Union Bonnet
- Rising stem & handwheel
- Swivel disc
- Multiple ring stem packing
- Back seat facility
- Integral seats

Options

- Monel trim
- Alternative connections: NPT, BSPP, BSPT, Socket Weld, Capillary Brazed.

Specifications

- ANSI B1.20.1 End Connections
- Overall length - manufacturers standard
- PED Conformity
- Designed generally to: MSS-SP-80



Dimensions

Screwed NPT

| VALVE SIZE | | mm | | | | WEIGHT kg |
|------------|----|-----|-------------|-----|-----|--------------|
| INCH | mm | A | B Thread | C | D | |
| 1/2" | 15 | 68 | 1/2" NPT | 133 | 67 | 0.9 |
| 3/4" | 20 | 84 | 3/4" NPT | 157 | 73 | 1.2 |
| 1" | 25 | 92 | 1" NPT | 170 | 85 | 1.7 |
| 1 1/4" | 32 | 105 | 1 1/2" NPT | 172 | 100 | 2.6 |
| 1 1/2" | 40 | 118 | 1 1/2" NPT | 200 | 100 | 2.5 |
| 2" | 50 | 145 | 2" NPT | 237 | 132 | 5.5 |

Pressure class: 150/300#
MWP = 362psi (25bar) at -10 to 66degC