

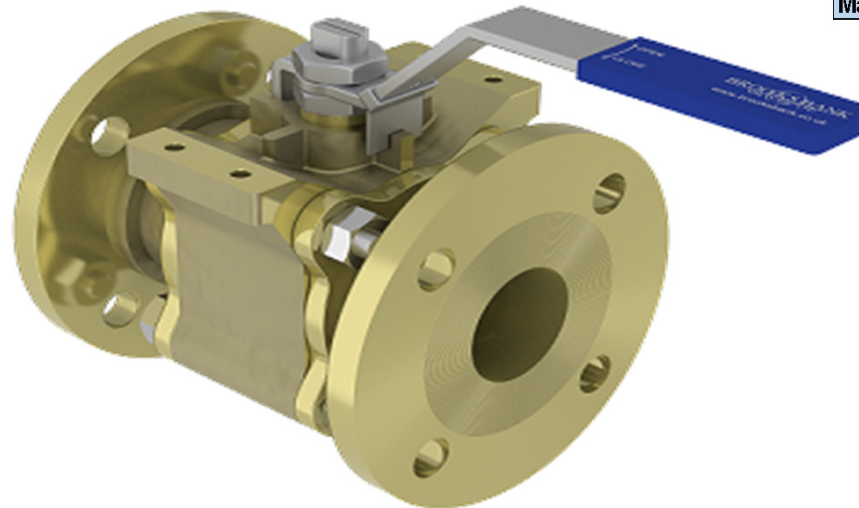
Description

The BAV117 is a 3 Piece bolted body, full bore floating ball valve, with optional connections. Manufactured as standard in NiAlBr giving long service life on seawater applications.

In conformance with the Pressure Equipment Directive 97/23/EC.

Standard Range, Sizes: 1/2" to 3"
Connections: Screwed & PN16.

Screwed rating: 150/300#



Materials

Regularly manufactured in a full range of materials including:

- Nickel Aluminium Bronze – ASTM B148
- Nickel Aluminium Bronze - DS02 747 Part 3
- Gunmetal – DS02 830 Part 1
- Bronze – ASTM B61/B62
- Brass – HTB1
- Titanium – ASTM B367
- Hastelloy®
- Monel®

Other materials available on request

Features

- Anti-static / Anti blowout stem
- Cavity pressure relieving seats
- Pressure equalising ball design
- Bi-directional Flow
- Solid Ball

Options

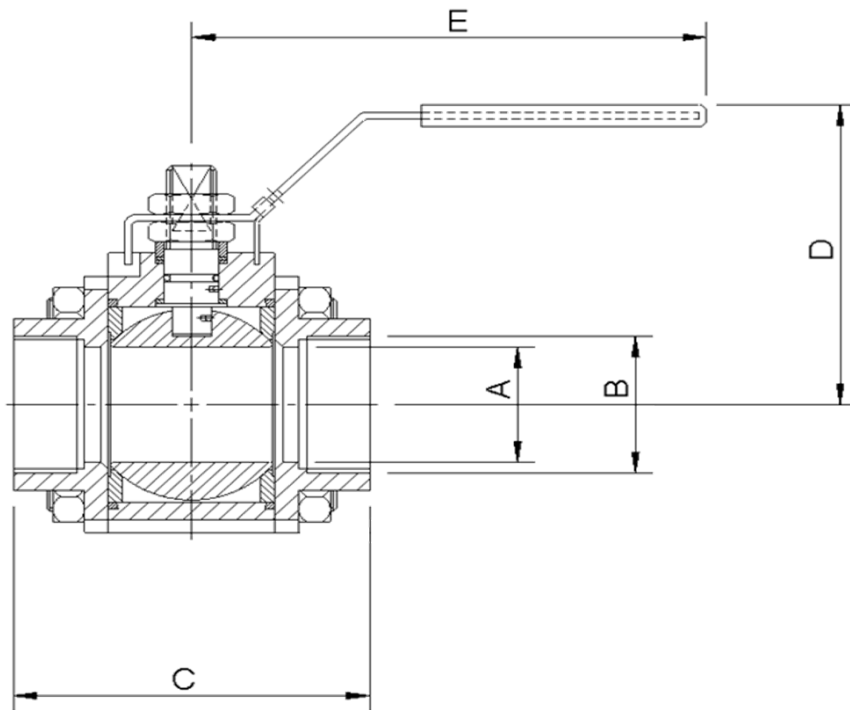
- Bare shaft (for actuation by others)
- Other thread forms
- Actuation to customer specifications
- Locking facility (open & closed)
- Extended stems (insulation allowance)

Specifications

Designed specifically for Naval Applications.

Screwed

Dimensions



VALVE SIZE		mm					WEIGHT kg	Drg
INCH	mm	A	B	C	D	E		
1/2"	15	15	1/2" BSPT	65	86	178	1.1	3997
3/4"	20	20	3/4" BSPT	118	90	178	1.8	3999
1"	25	25	1" BSPT	90	90	178	2.3	4001
1 1/4"	32	32	1 1/4" BSPT	96	98	181	3.9	4003
1 1/2"	40	40	1 1/2" BSPT	114	104	181	5.5	4005
2"	50	50	2" BSPT	143	128	203	8	4007
2 1/2"	65	65	2 1/2" BSPT	191	152	305	12.1	4009
3"	80	80	3" BSPT	203	152	305	14.1	4011

Screwed rating 150/300#

Dimensions

PN16

VALVE SIZE		mm					WEIGHT	Drg
INCH	mm	A	B	C	D	E	kg	
1/2"	15	15	60	108	86	180	1.5	3997
3/4"	20	20	98	117	92	180	2	3999
1"	25	25	115	127	92	180	3	4001
1 1/4"	32	32	140	140	98	180	4.5	4003
1 1/2"	40	40	140	165	120	180	8	4005
2"	50	50	165	178	132	207	12	4007
2 1/2"	65	65	185	190	152	305	13	4009
3"	80	80	200	203	152	305	16	4011

