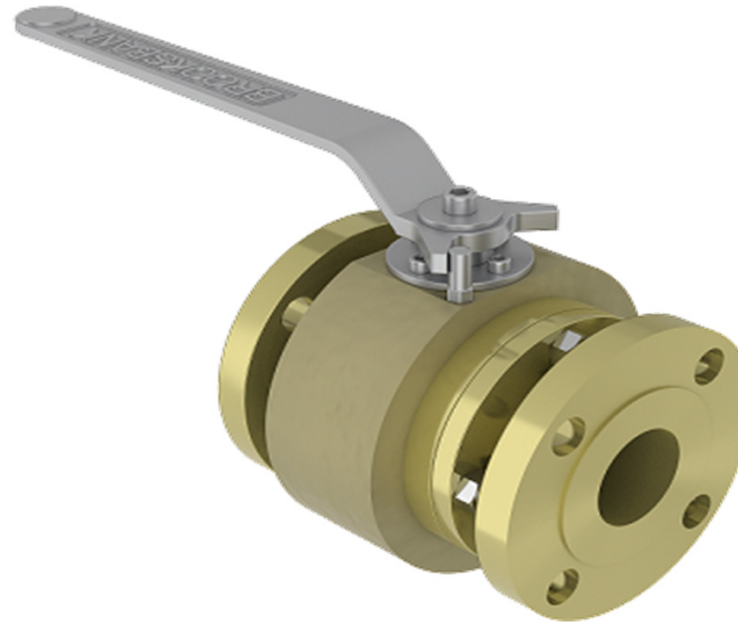


Description

The BAV118 is a flanged 2 Piece bolted body, full bore (1/2" is RB) floating ball valve, of wrought / forged construction. Manufactured as standard in specialist alloys for long service life in highly corrosive applications.

In conformance with the Pressure Equipment Directive 97/23/EC.

Standard Range, Sizes: 1/2" to 3"
Connections: ANSI 150



Materials

Regularly manufactured in a full range of materials including:

Nickel Aluminium Bronze
Bronze
Titanium
Hastelloy®
Monel®

Other materials available on request

Features

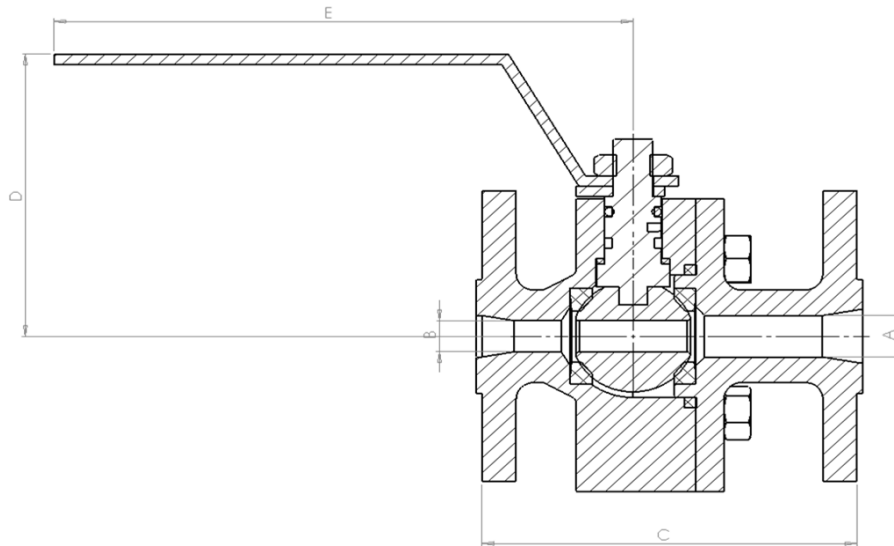
Anti-static / Anti blowout stem
Cavity pressure relieving seats
Pressure equalising ball design
Bi-directional Flow
Solid Ball

Options

Locking facility (open & closed)
Extended stems (insulation allowance)

Specifications

Designed specifically for Naval Applications.



Dimensions

ANSI 150

VALVE SIZE		mm					WEIGHT	Drg
INCH	mm	A	B	C	D	E	kg	
1/2"	15	12.7	9.5 RB	105	87	162	2	3891
3/4"	20	12.7	12.7	115	87	162	2.5	3905
1"	25	19	19	127	100.1	203.2	4.1	3893
1 1/2"	40	25.4	25.4	165.1	117.9	148	7	3895
2"	50	38.1	38.1	177.8	117.4	204.8	10	3897
3"	80	50.8	50.8	203.2	140.5	228.6	11.6	3704