

Description

The GAV24 is a wedge gate valve, with a union bonnet, rising stem/handwheel, solid wedge, integral seats and screwed connections. Manufactured as standard in NiAlBr giving long service life on seawater applications. In conformance with the Pressure Equipment Directive 97/23/EC.

Standard Range,
Sizes: 1/2" to 2"
Connections: Screwed.

Pressure class: 150/300#

MWP = 500psi (34.5bar) at -10 to 66degC



Materials

Regularly manufactured in a full range of materials including:

- Nickel Aluminium Bronze – ASTM B148
- Nickel Aluminium Bronze - ASTM B148
- Gunmetal – DS02 830 Part 1
- Bronze – ASTM B61/B62
- Brass – HTB1
- Titanium – ASTM B367
- Hastelloy®
- Monel®

Other materials available on request

Features

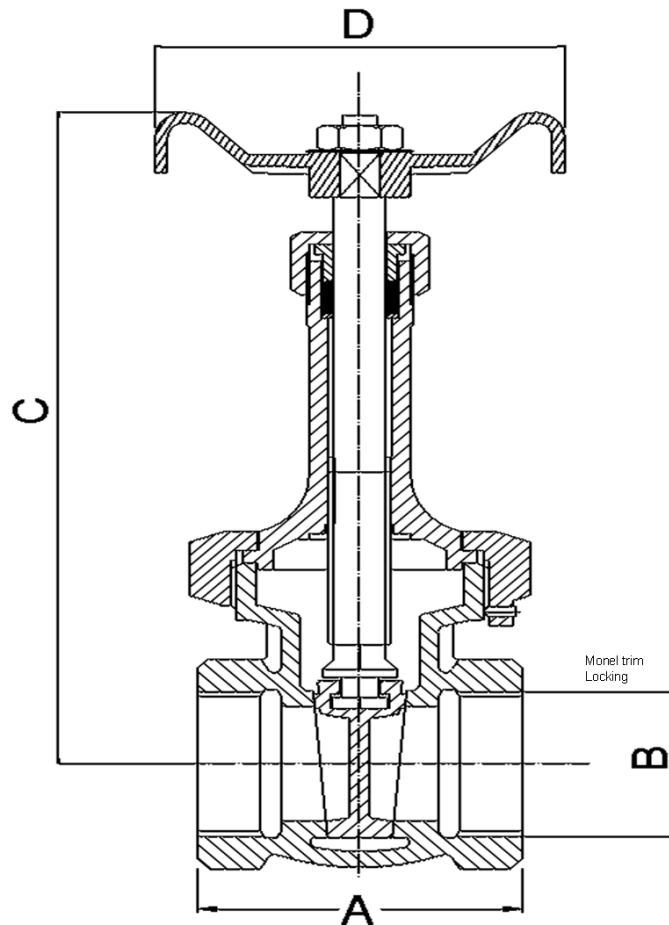
- Union Bonnet
- Rising stem & handwheel
- Integral seats
- Solid wedge
- Multiple ring stem packing
- Back seat facility

Options

- Monel trim
- Locking facility
- Alternative connections: NPT, BSPP, BSPT, Socket Weld, Capillary Brazed.

Specifications

- ANSI B1-20.1 Screwed Ends
- PED Conformity
- Designed generally in accordance with: MSS-SP-80



Dimensions

Screwed NPT

VALVE SIZE		mm unless stated				WEIGHT kg
INCH	mm	A	B Thread	C	D	
1/2"	15	60.4	1/2" NPT	120	76	0.7
3/4"	20	70	3/4" NPT	111	76	1.2
1"	25	76	1" NPT	166	83	1.6
1 1/2"	40	90.5	1 1/2" NPT	216	115	3.2
2"	50	101.6	2" NPT	265	127	5.2

Pressure class: 150/300#
MWP = 500psi (34.5bar) at -10 to 66degC