

Description

The BUV129 is a concentric butterfly valve, with a semi lugged wafer design body. Manufactured as standard in NiAlBr and fully rubber lined, to give long service life on seawater applications. Suitable for bi-directional flow with bubble tight shutoff.

In conformance with the Pressure Equipment Directive 97/23/EC

Standard Range,
Sizes: 2" to 40"
Connections: ANSI 150



Materials

Regularly manufactured in a full range of materials including:

- Nickel Aluminium Bronze – ASTM B148
- Nickel Aluminium Bronze - DS02 747 Part 3
- Gunmetal – DS02 830 Part 1
- Bronze – ASTM B61/B62
- Brass – HTB1
- Titanium – ASTM B367
- Hastelloy®
- Monel®

Other materials available on request

Features

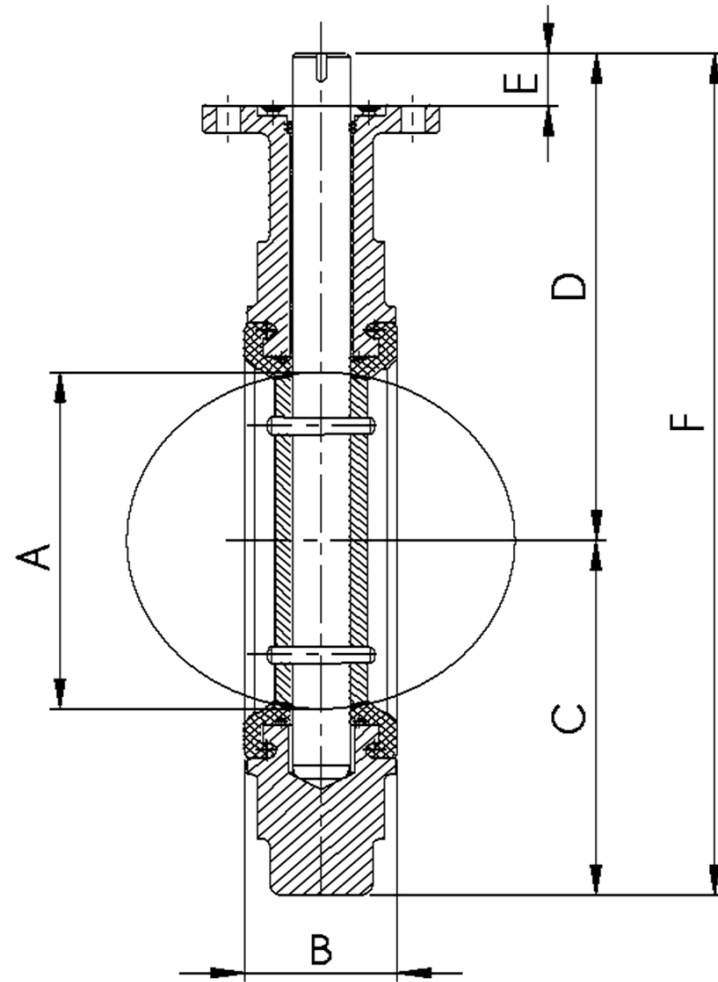
- Bi-directional flow
- Non Jamming resilient seated
- Tight shut-off at full rating
- Viton Rubber lined (Export Controlled)
- Body liner also provides gasket face
- Low pressure drop
- Low torque

Options

- Lever, gear or actuated operation
- Bare shaft
- Locking facility
- Alternative linings: NBR, EPDM, Silicon, Viton

Specifications

- ANSI B16.5 Flange Dimensions
- ISO 5752
- API 609



Dimensions

ANSI 150

VALVE SIZE		mm						WEIGHT kg
INCH	mm	A NB Pipe	B	C	D	E	F	
2"	50	21	43	55	128	33	216	3
2 1/2"	65	43	46	66	140	33	239	4
3"	80	65	46	75	150	33	258	5
4"	100	87	52	95	165	33	293	8
5"	125	113	56	115	178	33	326	9
6"	150	136	56	130	190	33	353	10
8"	200	189	60	155	230	50	435	19
10"	250	236	68	215	270	50	535	27
12"	296	284	78	251	310	50	611	40
14"	350	326	78	270	335	50	655	46
16"	400	365	102	325	370	60	755	77
18"	450	415	114	347	390	60	797	95
20"	500	468	127	383	420	80	883	135
22"	550	495	154	425	462	80	967	195
24"	600	546	154	453	495	80	1026	240
26"	650	595	165	490	525	80	1095	285
28"	700	647	165	515	555	80	1150	305
30"	750	692	190	550	590	90	1230	362
32"	800	738	190	592	640	120	1352	442
34"	850	787	210	612	650	120	1382	505
36"	900	838	203	658	700	130	1488	620
40"	1000	940	216	725	770	150	1645	735