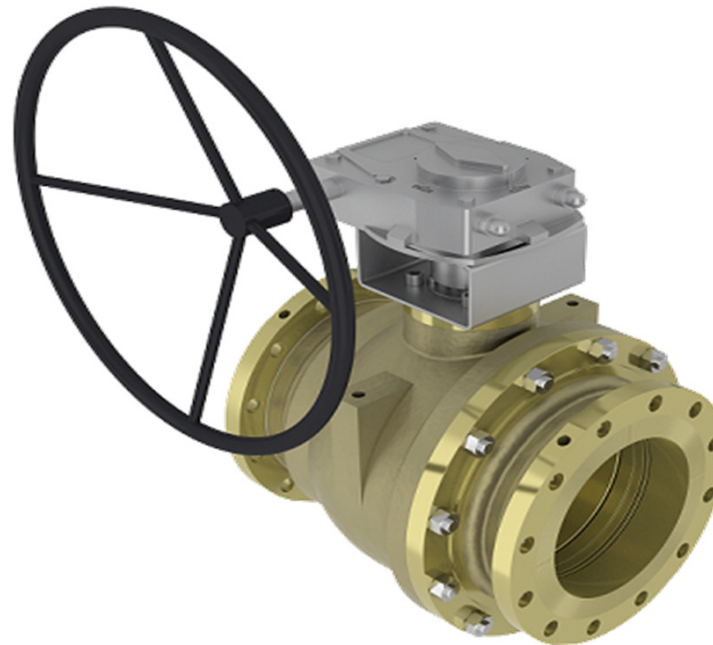


Description

The BAV17-1 is a 2 piece side entry, full bore trunnion mounted ball valve, with integral cast flanges. Manufactured as standard in NiAlBr giving long service life on seawater applications.

In conformance with the Pressure Equipment Directive 97/23/EC.

Standard Range,
Sizes: 1-1/2" to 12"
Connections: ANSI 150 & 300.



Materials

Regularly manufactured in a full range of materials including:

Nickel Aluminium Bronze – ASTM B148
Nickel Aluminium Bronze - DS02 747 Part 3
Gunmetal – DS02 830 Part 1
Bronze – ASTM B61/B62
Brass – HTB1
Titanium – ASTM B367
Hastelloy®
Monel®

Other materials available on request

Features

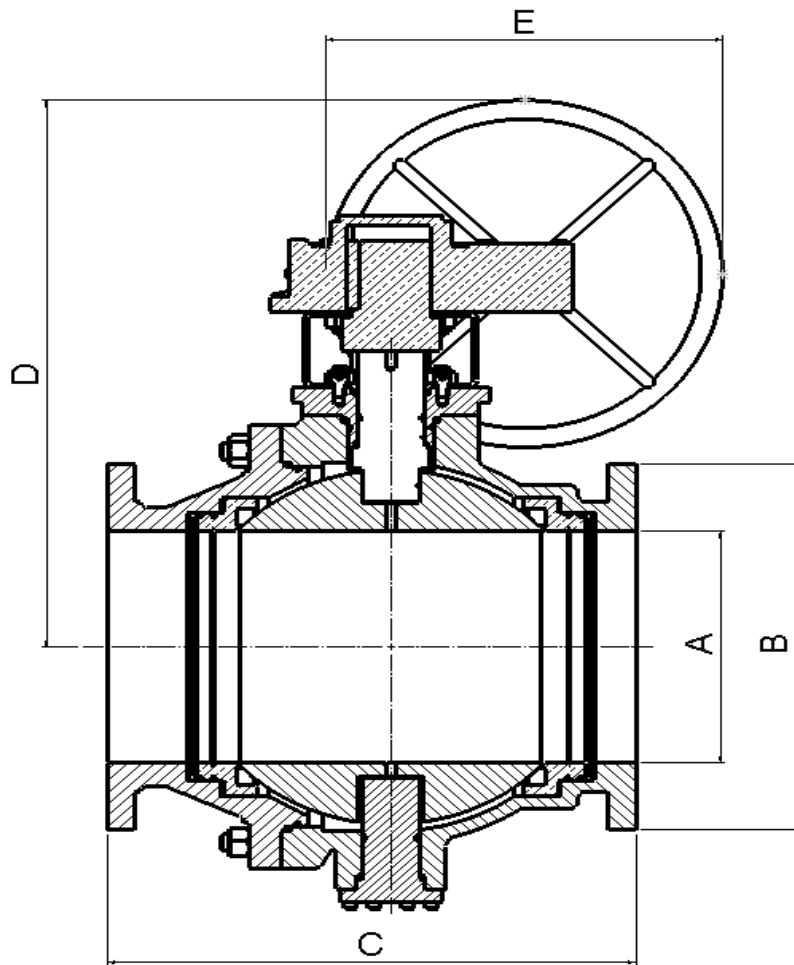
Anti-static / Anti blowout stem
Cavity pressure relieving seats
Pressure equalising ball design
ISO 5211 mounting platform
Bolted Bonnet
Bi-directional Flow
Spring loaded seats
Solid Ball

Options

Bare shaft (for actuation by others)
Actuation to customer specifications
Locking facility (open & closed)
Extended stems (insulation allowance)

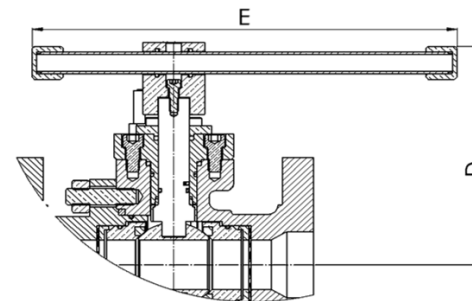
Specifications

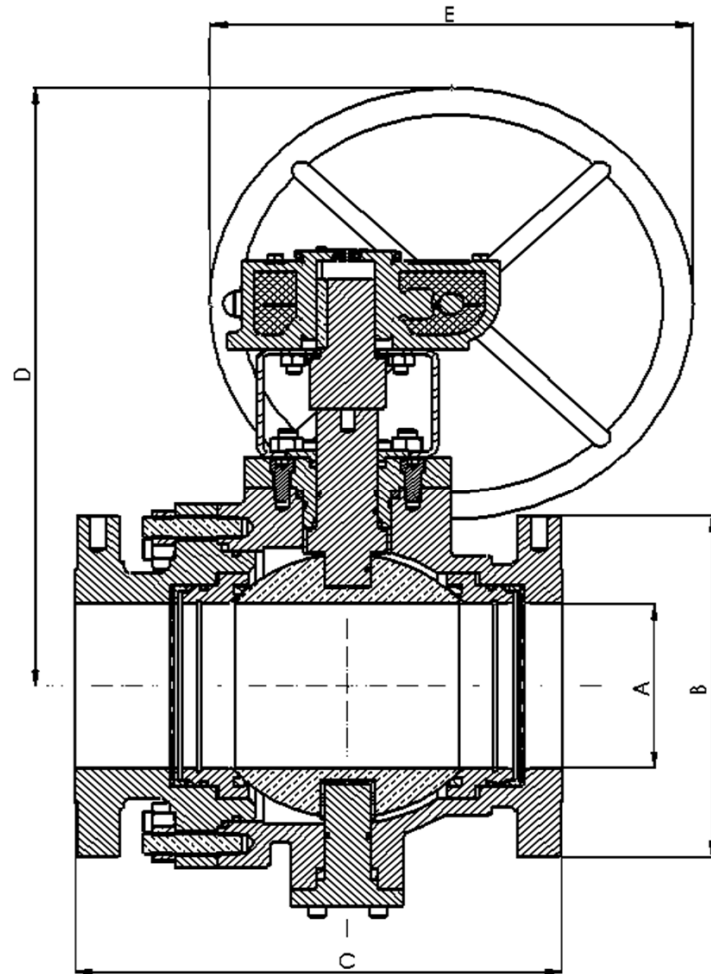
ANSI B16.5 Flange Dimensions
ANSI B16.10 Face to Face Length
ANSI B16.34 Wall Thickness
PED Conformity
Designed generally in accordance with: API 6D
& ISO 17292 (formerly BS5351)



Dimensions

VALVE SIZE		mm						WEIGHT kg
INCH	mm	A NB Ball	B	C	D	E LEVER HANDWHEEL		
1 1/2	40	38	127	165	171	305 LEVER	13	
2	50	51	152	178	179	305 LEVER	17	
3	80	76	191	203	228	610 LEVER	29	
4	100	100	229	229	428	G/BOX 254	50	
6	150	152	294	394	533	G/BOX 356	137	
8	200	203	343	457	643	G/BOX 457	228	
10	250	254	406	533	736	G/BOX 610	360	
12	300	305	483	610	720	G/BOX 457	573	





Dimensions

ANSI 300

VALVE SIZE		mm						WEIGHT
INCH	mm	A NB Ball	B	C	D	E		kg
						LEVER	HANDWHEEL	
1 1/2	40	38	156	191	171	305	LEVER	16
2	50	51	165	216	179	305	LEVER	21
3	80	76	210	283	228	610	LEVER	43
4	100	100	254	305	456	G/BOX	305	72
6	150	152	316	403	555	G/BOX	400	156
8	200	203	381	502	638	G/BOX	457	274
10	250	254	445	568	761	G/BOX	610	459
12	300	305	521	648	800	G/BOX	600	681

