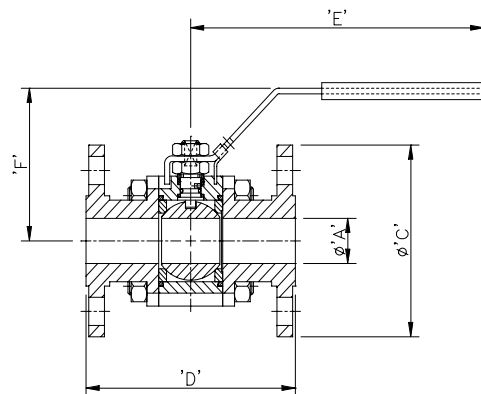


3 Piece Ball Valves

- SIZES** 1/2" - 3" full bore
- PRESSURE** ANSI Class 300
- FEATURES** Floating ball design.
3 piece body for ease of repair and maintenance.
Lockable as standard.
Actuator mounting pad as standard. Flanged end connections. Screwed, butt weld and socket weld also available.
- STANDARDS** BS 5351 API 6D
ANSI B16.10 Face to face
ANSI B16.5 Flange dims.



Size	A	C	D	E	F	Weight (KG)
1/2"	1/2"	3 3/4"	5 1/2"	7"	3 3/8"	3
3/4"	3/4"	4 5/8"	6"	7"	3 9/16"	4 1/2
1"	1"	4 7/8"	6 1/2"	7"	3 3/8"	6
1 1/2"	1 1/2"	6 1/8"	7 1/2"	7"	4 1/16"	12 1/2
2"	2"	6 1/2"	8 1/2"	8"	5 1/16"	15
3"	3"	8 1/4"	11 1/8"	12"	6"	27 1/2

Sackville Street, Skipton,
North Yorkshire, BD23 2PS England

Telephone: +44 (0) 1756 792346 Fax: +44 (0) 1756 792347 E-mail: sales@brooksbank.co.uk
www.brooksbank.co.uk