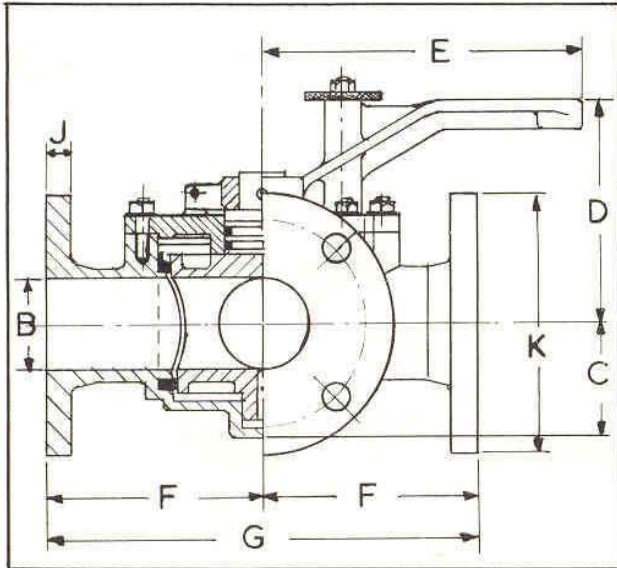
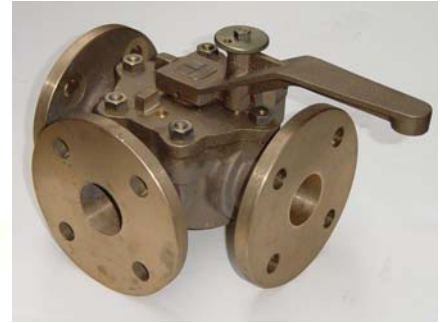
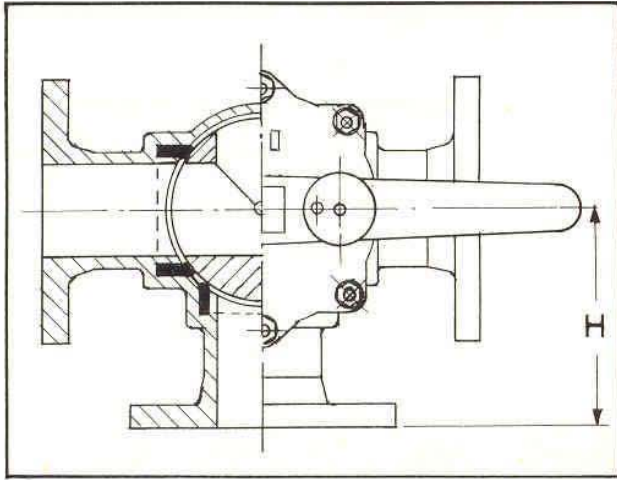


## 3 way flanged plug valve



- Full round bore of pipe size.
- Synthetic rubber seals. Not metal to metal.
- Smooth easy action.
- Bubble tight sealing.
- Locking facilities for all three positions.
- Positive stops in three positions.

MADE IN GUNMETAL

TEST PRESSURE 20 BAR.

WORKING PRESSURE 10 BAR.

MAX. WORKING TEMP. 104°C.

### DIMENSIONS IN MILLIMETRES

Nom. Size	B	C	D	E	F	G	H	J	K	Bolt holes			Wt. Kg.
										No.	Dia.	P.c.d.	
25	27	46	94	150	82.5	165	82.5	10	115	4	13	85	5
32	35	53	106	175	100	200	100	10	140	4	17	100	10
40	41.5	58	107	200	110.5	221	110.5	11	150	4	17	110	13
50	54	63	120	220	120.5	241	121	11	165	4	17	125	16
65	72.1	84	136	245	133.5	267	133	13	185	4	17	145	35
80	83.9	92	150	300	152.5	305	152	15	200	8	17	160	50
100	103	100	166	325	178	356	178	19	220	8	17	180	63
125	128	128	176	375	197	394	197	22	250	8	17	210	82
150	154	160	195	425	229	458	229	22	285	8	21	240	116

Sackville Street, Skipton,  
North Yorkshire, BD23 2PS England

Telephone: +44 (0) 1756 792346 Fax: +44 (0) 1756 792347 E-mail: [sales@brooksbank.co.uk](mailto:sales@brooksbank.co.uk)  
[www.brooksbank.co.uk](http://www.brooksbank.co.uk)